

HOSPIVAC® C- EVISA

Lubricated technology



- Outdoor composites cabin
- 3 lubricated rotary vane vacuum pumps EVISA.R type
- Dual power supply
- Available regulation modes (see the set-up layout)
- FLEEXO constant vacuum : regulation device allowing to use small capacity receivers
- HEPA duplex parallel bacterial filtration integrated in the cabin
- Delivery pot for condensate recuperation
- Fit to NF EN ISO 7396-1 standard
- Integrated network alarm
- Integrated oil level and temperature securities
- Integrated receiver(s) in the cabin



Characteristics

HOSPIVAC® C3 EVISA Lubricated pumps	Nominal capacity m ³ .h ⁻¹		Power per pump kW		Total power kW		Filtration	Installed receiver(s) capacity - l
	50 Hz	60 Hz	50 Hz	60 Hz	50 Hz	60 Hz		
HOSPIVAC® C3 - E25.R	3 x 28	3 x 33	3 x 0,75	3 x 0,9	6,5	7,8	FD60DP	500
HOSPIVAC® C3 - E40.R	3 x 44	3 x 53	3 x 1,1	3 x 1,32	7,5	9	FD130DP	500
HOSPIVAC® C3 - E65.R	3 x 68	3 x 81	3 x 1,5	3 x 1,8	8,8	10,6	FD130DP	750
HOSPIVAC® C3 - E100.R	3 x 100	3 x 120	3 x 2,2	3 x 2,64	10,8	13	FD260DP	750
HOSPIVAC® C3 - E150.R	3 x 132	3 x 156	3 x 3	3 x 3,6	13,3	16	FD640DP	2 x 1000
HOSPIVAC® C3 - E200.R	3 x 200	3 x 240	3 x 4	3 x 4,8	16,3	19,6	FD640DP	2 x 1000
HOSPIVAC® C3 - E300.R	3 x 300	3 x 360	3 x 5,5	3 x 6,6	20,7	24,8	FD1200DP	2 x 1000

Available set-up

Regulation		HOSPIVAC® C
PROCUM 2 (PM2)	3 pumps	■
CYCLIC 2020 (C2020)	3 pumps	■

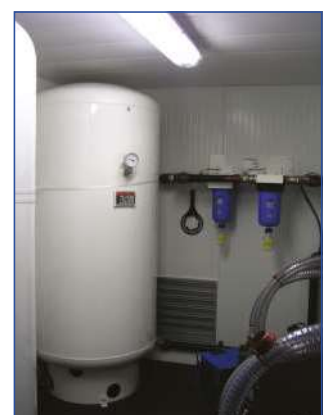
■ Available



Range complying with
93/42/CEE directive

Power supply

- 3-phase, 400V+N+E / 50Hz (standard)
- Other tensions and frequencies on request



Specifications are subject to be changed without notice

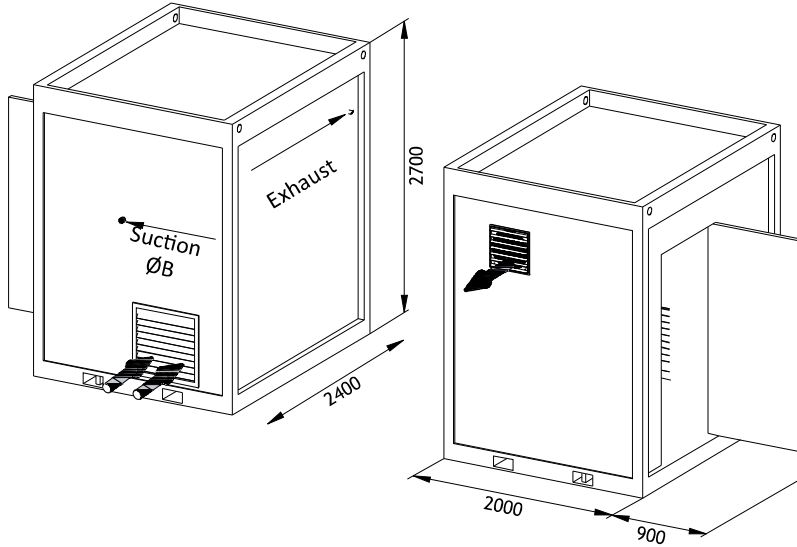
OUTDOOR CABIN vacuum plants

for medical applications

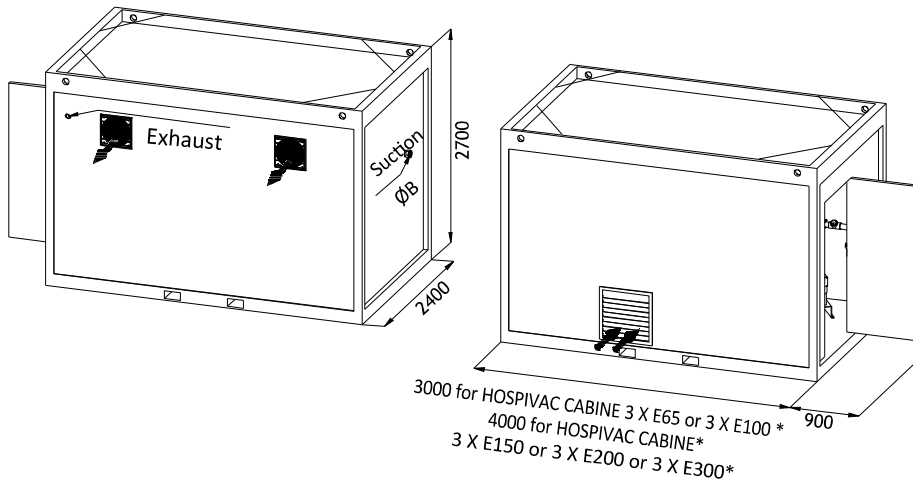


Dimensions (mm)

HOSPIVAC® Cabin E25.R to E40.R



HOSPIVAC® Cabin E65.R to E300.R



* + 900 mm for air conditioning option

HOSPIVAC® C3	Ø B	Weight kg
E25.R	1"	1100
E40.R	1"	1140
E65.R	1"1/2	1530
E100.R	1"1/2	1560
E150.R	2"	2076
E200.R	2"	2115
E300.R	2"	2340



Plant references

HOSPIVAC® C3 FLEXO constant vacuum regulation		E25.R	E40.R	E65.R	E100.R	E150.R	E200.R	E300.R
HOSPIVAC® C3 PM2	AFDP **	919209	919210	919211	919212	919213	919214	919215
HOSPIVAC® C3 C2020	AFDP **	918588	918589	918590	918591	918592	918593	918594
HOSPIVAC® C3 PM2	AFDP ** Air conditioning	925060	925061	925062	925063	925064	925065	925066
HOSPIVAC® C3 C2020	AFDP ** Air conditioning	925067	925068	925069	925070	925071	925072	925073

** AFDP : Duplex parallel filtration

Specifications are subject to be changed without notice