

HOSPITAIR® SCROLAIR G



Oil-less scroll technology



- Medicinal air plants
- Oil-less scroll compressors
- Covered or standard version
- Personalised units fitting any kind of technical room
- Fit to EN ISO 7396-1 Standard, HTM BS and NFPA
- Low noise level
- Air treatment system with adsorption air dryer(s) SEC 7HC type
- Air quality complying with European pharmacopoeia
- Integrated network alarm
- PROCOM 2 control device

Compression head

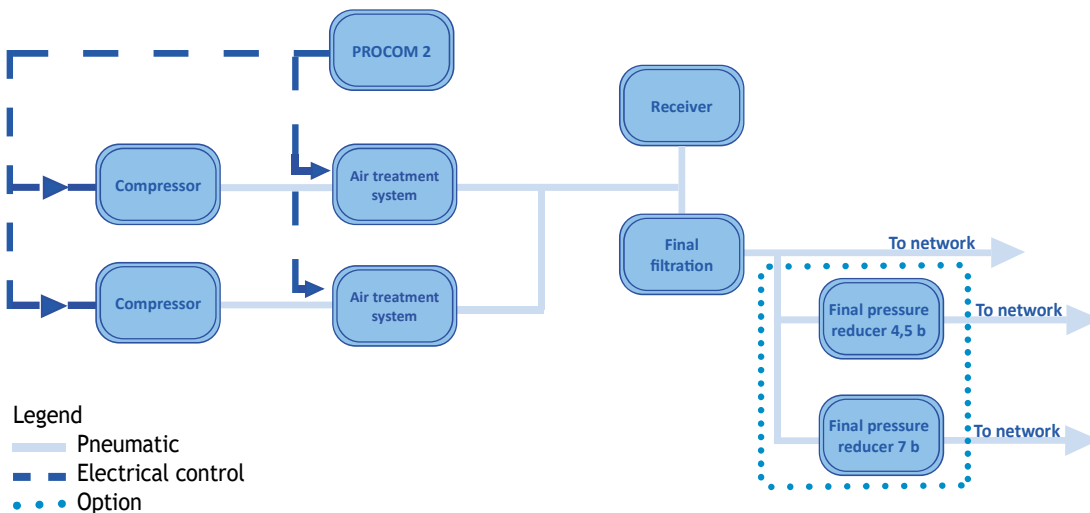


Characteristics

| HOSPITAIR® G 10 bar | Flow rate* m ³ .h ⁻¹ | | Power kW 50 / 60 Hz | Air dryer type | Noise level dB(A) | | Weight kg | |
|------------------------|---|----------|---------------------------|-------------------|--------------------|---------------------|--------------------|---------------------|
| | at 10 bar | at 8 bar | | | Covered version | Standard version | Covered version | Standard version |
| 13SP2 | 12,6 | 15,6 | 2,2 | AD5035 | 66 | 67 | 145 | 110 |
| 29SP2 | 29,3 | 36 | 5,5 | AD5035 | 67 | 68 | 175 | 140 |
| 42SP2 | 42 | 52 | 7,5 | AD5065 | 67 | 68 | 180 | 145 |

* Compressor flow rate / Scroll RPM at 8bar = + 657 RPM

Process sequence (ex : duplex plant)



Range complying with 93/42/CEE directive

Available set-up

| | 1 production assembly | 2/3 production assemblies |
|------------------|--------------------------|------------------------------|
| PROCOM 2 | ■ | ■ |
| Final filtration | ■ | ■ |
| Hygrometer | ■ | ■ |
| Network alarm | ■ | ■ |
| CO monitoring | ◆ | ◆ |

- Standard equipment
- ◆ Optional equipment

Power supply

- 3-phase, 400V+N+E / 50Hz (standard)
- Other tensions and frequencies on request

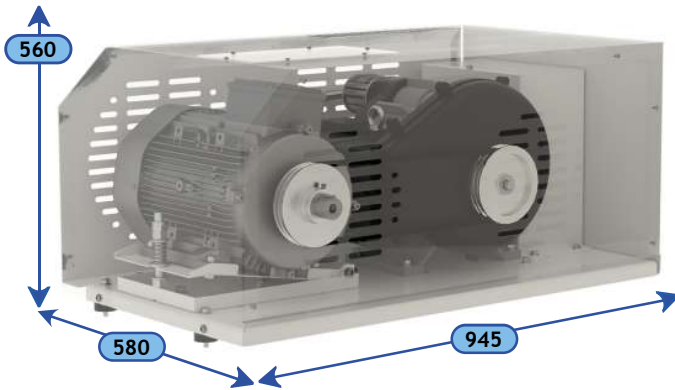
Medicinal air plants

Oil-less scroll compressor

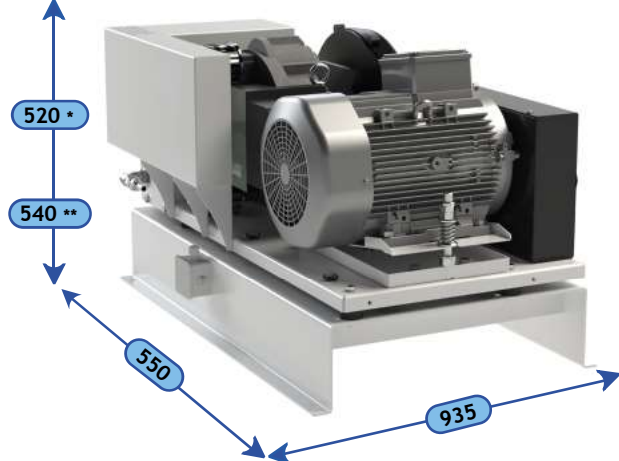


Dimensions (mm)

HOSPITAIR® SCROLAIR G
covered version



HOSPITAIR® SCROLAIR G
standard version



* 13SP2 - ** 29 & 42SP2

Plant references

| HOSPITAIR® SCROLAIR G | | 13SP2 | | 29SP2 | | 42SP2 | |
|--|-----------------|---|------------------|-------------------------|------------------|--|------------------|
| | | covered version | standard version | covered version | standard version | covered version | standard version |
| Oil-less scroll compressor on base with pressure hose | 50Hz | X x 824479 | X x 824480 | X x 824481 | X x 824482 | X x 824483 | X x 824484 |
| | 60 Hz | - | - | X x 824485 | X x 824486 | - | - |
| PROCOM 2 control device (dew point sensor included) | 1 line | 724143 | | | | | |
| | 2 lines | 724137 | | | | | |
| | 3 lines | 724141 | | | | | |
| SEC 7HC Air treatment system | | CY10-PF36-SUB36/ AD5035-CHA36 X x 924321 | | | | CY20-PF72-SUB72 / AD5065-CHA72 X x 924957 | |
| Final filtration Wall fixation | 1 line | FP036S 724009 | | | | FP072S 724014 | |
| | 2 lines | FP72DP 724014 | | | | FP72DP 724014 | |
| | 3 lines | FP72DP 724014 | | | | FP144DP 724015 | |
| Vertical air receiver with equipment - 11 bar | <i>see p.81</i> | 1 x 900 l 1 x 721119 | | 2 x 900 l 2 x 721119 | | | |

Accessories and option references

| | | | | |
|-------------------------------|--------------------|--------|---------------------|--------|
| Single pressure release line | DS BP300 - 4,5 bar | 624809 | DS BP300 - 7 bar | 622310 |
| Duplex pressure release line | DD BP300 - 4,5 bar | 622305 | DD BP300 - 7 bar | 622306 |
| Report Status with PROCOM 2 * | 12 first alarms | 624267 | 12 following alarms | 624268 |
| CO monitoring | PROCOM 2 | 724912 | | |

* Do not forget to order electrical cord 615892 x 3 (see p 83)