

High performance oil-flooded vacuum pumps



New generation of vacuum pumps with fast pumping speed due to 6.10^{-2} mbar absolute end vacuum

High flow rate at 1 mbar

Internal design providing a low noise level for an easy integration into industrial machines

Installation near operators



Delivery with MV99S 100% synthetic oil for long life time and heavy duty operating conditions

Lubricated rotary vane vacuum pumps



Oil filter standard on each size of vacuum pump with dual recycling oil circuit

Accessible & adjustable gas ballast following customer process with high capacities of water pumping



Possible customisation of the protection cover

Options:

- Oil level switch
- PT100 temperature sensor
- Many other options available





EVISA E25.R



The lubricated rotary vane pumps EVISA are designed to be used in a wide range of industrial and healthcare applications.

They can run continuously from atmospheric pressure to ultimate vacuum.

They are silent and extremely robust.

- Single stage vacuum pump with the end vacuum of $6 \cdot 10^{-2}$ mbar
- Compactness and noise level optimized for an easy integration in machines
- High water vapor pumping capacity with finely adjustable gas ballast
- Designed for light onsite maintenance without piping disconnection
- Integrated oil mist filter on the exhaust

Technical characteristics

		50 Hz	60 Hz	
E25.R HV	Nominal flow rate $m^3 \cdot h^{-1} - cfm$	28 - 16,4	33 - 19,4	
	PNEUROP pumping speed ⁽¹⁾ $m^3 \cdot h^{-1} - cfm$	26 - 15,3	31 - 18,2	
	Pumping speed at 1 mbar inlet pressure ⁽¹⁾ $m^3 \cdot h^{-1} - cfm$	18,6 - 10,9	20,8 - 12,2	
	Without gas ballast	End vacuum mbar - torr	$\leq 6 \cdot 10^{-2} - 4,5 \cdot 10^{-2}$	$\leq 8 \cdot 10^{-2} - 6 \cdot 10^{-2}$
		End vacuum mbar - torr	$\leq 6 \cdot 10^{-1} - 4,5 \cdot 10^{-1}$	$\leq 6 \cdot 10^{-1} - 4,5 \cdot 10^{-1}$
	Opened gas ballast 1,5 rotation	Water vapor permitted maximum pressure mbar - torr	7,3 - 5,5	13 - 9,8
		Water vapor capacity $kg \cdot h^{-1}$	0,11	0,24
	Fully opened gas ballast	End vacuum mbar - torr	$\leq 6 - 4,5$	$\leq 6 \cdot 0 - 4,5$
		Water vapor permitted maximum pressure mbar - torr	130 - 97	180 - 135
		Water vapor capacity $kg \cdot h^{-1}$	2,1	3,6
E25.R	Without gas ballast	End vacuum mbar - torr	$\leq 2 - 1,5$	$\leq 2 - 1,5$
		End vacuum mbar - torr	$\leq 3 - 2,2$	$\leq 3 - 2,2$
	Fully opened gas ballast	Water vapor permitted maximum pressure mbar - torr	88 - 66	114 - 85
		Water vapor capacity $kg \cdot h^{-1}$	1,4	2,2
100 % synthetic oil		MV99S	MV99S	
Oil capacity l - qt		1 - 1,1	1 - 1,1	
Noise level dB(A)		59	63	

⁽¹⁾ Measurements according to PNEUROP 6602 specifications - 20°C

Versions

GEOGRAPHIC ZONE	EUROPE	ASIA MIDDLE-EAST	SOUTH AMERICA	USA	JAPAN		
Electrical motor	Number of phases	1	3	3	3	3	
	Voltage V	230	230 / 400	220 / 380	190 / 380	208-230/460	200 / 380
	Period Hz	50	50	50 / 60	50	60	50/ 60
	Motor power	0,75 kW	0,75 kW	0,75 / 0,90 kW	0,75 kW	1,50 HP	0,75 / 0,90 kW
	Rotation speed min^{-1}	1500	1500	1500/1800	1500	1800	1500/1800
Inlet connection ⁽²⁾	1" BSP	1" BSP	1" BSP	1" NPT	1" NPT	1" BSP	
Outlet connection ⁽³⁾	1" BSP	1" BSP	1" BSP	1" NPT	1" NPT	1" BSP	
Weight with oil $kg - lb$	31,3 - 69	30 - 66,2	30 - 66,2	30,8 - 67,9	30,8 - 67,9	30,8 - 67,9	

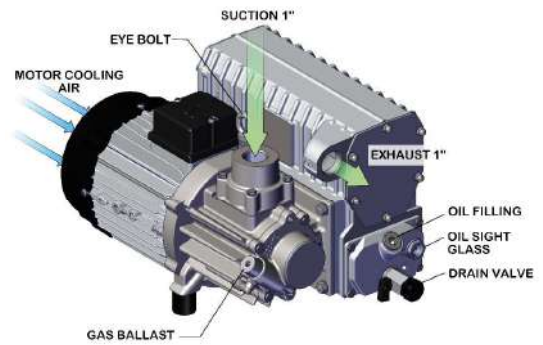
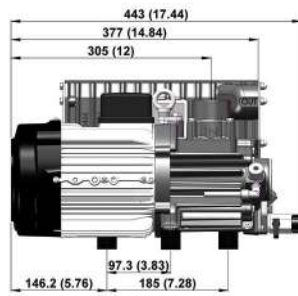
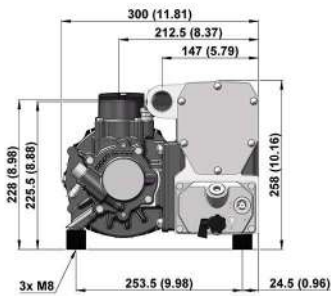
⁽²⁾ DN 25 ISO-KF adaptation flange can be supplied, see accessories

⁽³⁾ DN 25 ISO-KF connector can be supplied, see accessories

Specifications are subject to be changed without notice.

Lubricated rotary vane vacuum pumps

Dimensions mm (inch)



References

	E25.R HV		E25.R	
	WITH GAS BALLAST	WITHOUT GAS BALLAST	WITH GAS BALLAST	WITHOUT GAS BALLAST
EUROPE 1ph, 230V-50Hz	824179	824181	824183	824185
EUROPE / ASIA 3ph, 230/400V-50Hz, 220/380V-50/60Hz	824091	824187	824090	824189
SOUTH AMERICA / USA 3ph, 190/380V-50Hz, 208-230/460V-60Hz	824094	824191	824193	824195
JAPAN 3ph, 200/380V-50/60Hz	824096	824197	824199	824201

Oxygen version available - Contact us

HV accessories - KF connection



1 Suction filter DN25KF -Type 100

Suction flange DN25KF	625029	
1 Suction filter DN25KF - Type 100	Paper cartridge	625030
	Polyester cartridge	625031
	Carbon cartridge	625032
Aluminium clamping ring DN25KF	361638	
Stainless steel / Viton DN25KF centering ring	361641	
Stainless steel DN25KF hose - 0,5 m	361644	
Stainless steel DN25KF hose - 1 m	361645	
Elbow DN25KF	333827	
Equal T-square DN25KF	333828	
Manual ball valve DN25KF	333829	
Solenoid valve DN25KF	333830	
Exhaust adapter 1" BSP - DN25KF	625019	

Maintenance kits

3 000 hour usual maintenance with silicone o'ring for oil mist filter	724572
3 000 hour usual maintenance with viton o'ring for oil mist filter	724573
12 000 hour preventive maintenance	724583

Oxygen version maintenance available - Contact us



3 000 hour usual maintenance



12 000 hour preventive maintenance

Specifications are subject to be changed without notice.



Accessories and Options

Additional rubber foot		625169	
1	Oil Level Safety (OLS) with float	625020	
PT100 temperature sensor		625021	
NC bimetal temperature safety - opening at 120°C - Max 24V		625022	
2	1" BSP suction filter	Paper cartridge	714975
	Type 100	Polyester cartridge	714976
		Carbon cartridge	714977
Ø63 vacuum gauge fitted on filter		617536	
1" BSP polyester/carbon double filtration 100PO + 100CH		625023	
Adjusting valve fitted on T-square MF 1" BSP		714979	
3	Liquid trap 100 48 m ³ .h ⁻¹ 1" BSP	Aluminium head / plexiglass cylinder / without mechanical float	724793
		Aluminium head / plexiglass cylinder / with mechanical float	724794
		Aluminium head / Pyrex cylinder / without mechanical float	724807
		Aluminium head / Pyrex cylinder / with mechanical float	724808
		Stainless steel head / Pyrex cylinder / without mechanical float	724795
		Stainless steel head / Pyrex cylinder / with mechanical float	724796
		Pyrex bottle 250 ml under trap assembly	615441
		Pyrex bottle 500 ml under trap assembly	615442
	Pyrex bottle 1000 ml under trap assembly	615443	
Electro-pneumatic automatic drain with control board		816002	
Electrical automatic drain with control board		816003	
Vacuum hose (0,6 m) MF 1" BSP		618265	
Vacuum hose (1 m) MF 1" BSP		617372	
Vacuum hose (1,5 m) MF 1" BSP		618266	
Vacuum hose (2 m) MF 1" BSP		616179	
Suction hose (1m) MM 1" with no return valve		714980	
No return valve MF 1" BSP		618457	
Base frame assembly (H=150 mm)		625012	
4	Elevated base frame (H=525 mm)	For 1 pump	625013
		For 2 pumps	625014
		For 3 pumps	625015
Direct starter (wall mounting)	Without regulation contact 3-ph 400V + E		770495
	Without regulation contact 1-ph 230V + E		770503
	With regulation contact LG7 3-ph 400V + N + E		710422
	With regulation contact LG7 1-ph 230V + E		710428
	With regulation contact LG7 + OLS Timer 3-ph 400V + N + E		724576
		With regulation contact LG7 + OLS Timer 1-ph 230V + E	724577
Direct starter with regulation contact LG7 and Flexo valve for warm up and degasing system - 3-ph 400V + N + E		724578	
Direct starter with regulation contact LG7 and Flexo valve for warm up and degasing system - 1-ph 230V + E		724579	
Electrical cable (3m) with ON/OFF switch -1-ph 230V + E		625016	
Direct starter support for base fixation		625017	



1 Oil level safety



2 suction filter type 100



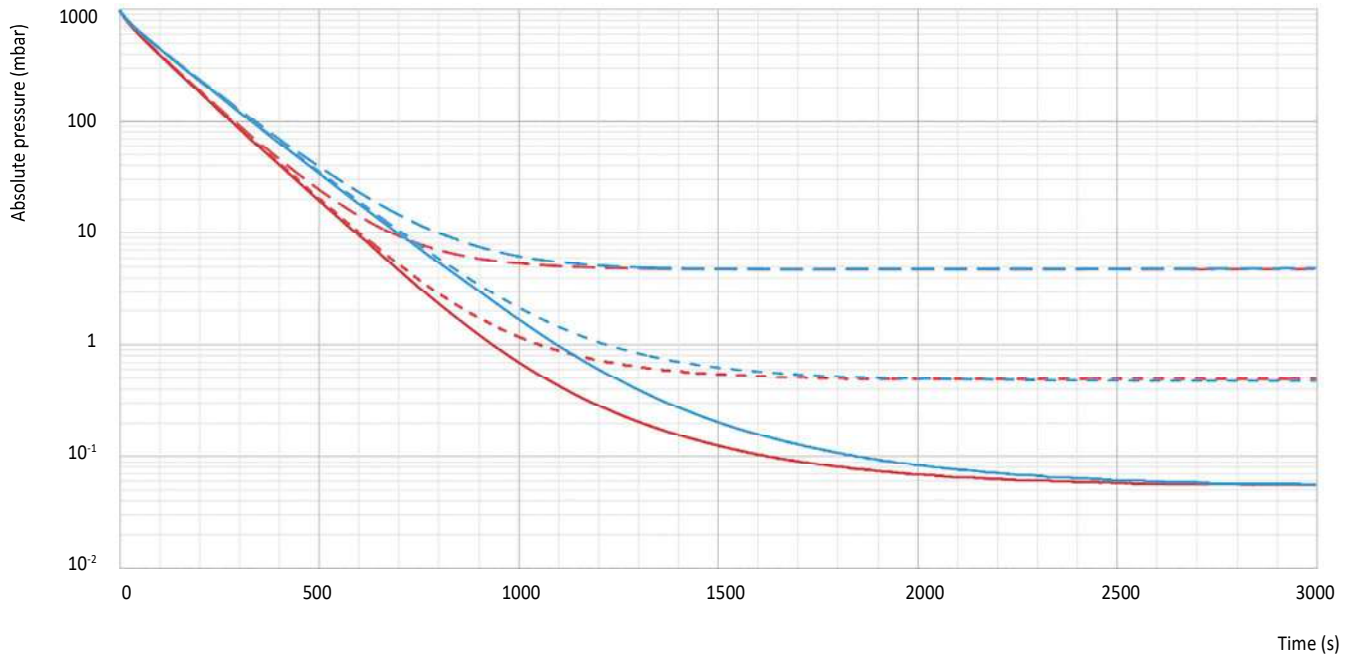
3 Liquid trap 100 with mechanical stop and optional bottle



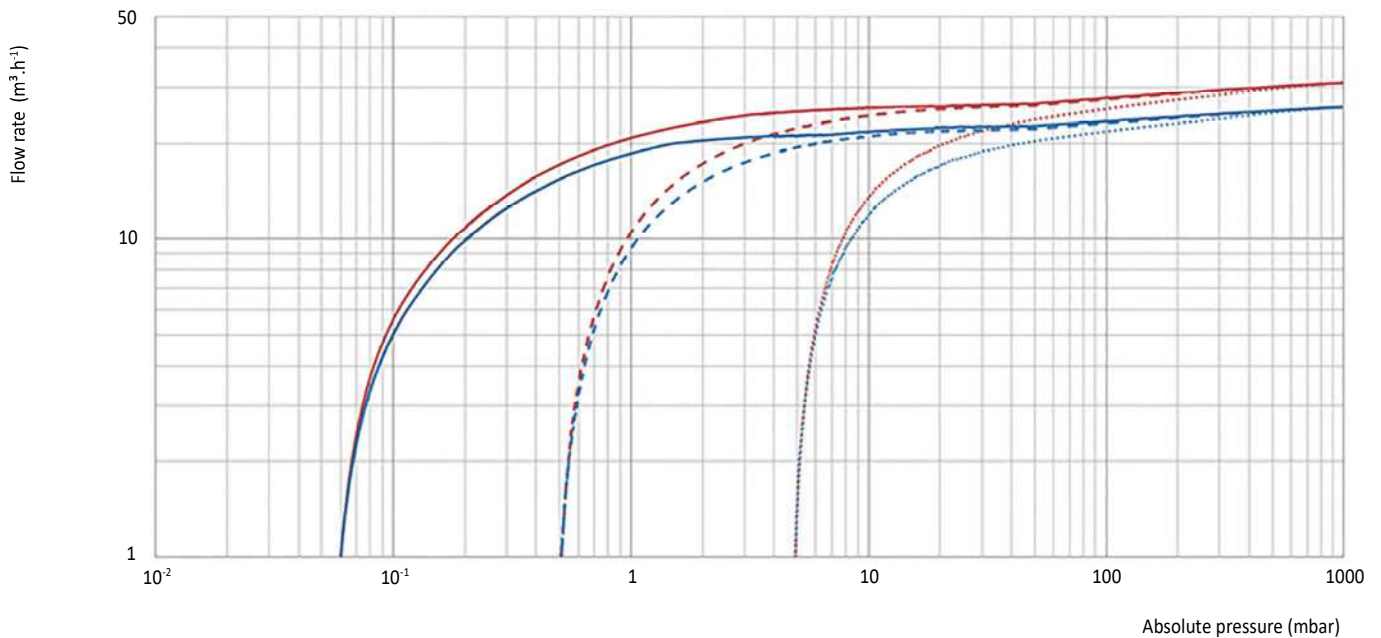
4 Elevated base frame for 2 pumps

Lubricated rotary vane vacuum pumps

Pumping speed on 1000 l vessel



Performance curves



- 60 Hz - Without gas ballast - - - 60 Hz - opened gas ballast 1,5 rotation - - - 60 Hz - Fully opened gas ballast
- 50 Hz - Without gas ballast - - - 50 Hz - opened gas ballast 1,5 rotation - - - 50 Hz - Fully opened gas ballast

Specifications are subject to be changed without notice.



EVISA E40.R



The lubricated rotary vane pumps EVISA are designed to be used in a wide range of industrial and healthcare applications.

They can run continuously from atmospheric pressure to ultimate vacuum.

They are silent and extremely robust.

- Single stage vacuum pump with the end vacuum of $6 \cdot 10^{-2}$ mbar
- Compactness and noise level optimized for an easy integration in machines
- High water vapor pumping capacity with finely adjustable gas ballast
- Designed for light onsite maintenance without piping disconnection
- Integrated oil mist filter on the exhaust

Technical characteristics

		50 Hz	60 Hz	
Nominal flow rate $m^3 \cdot h^{-1} - cfm$		44 - 25,9	53 - 31,2	
PNEUROP pumping speed ⁽¹⁾ $m^3 \cdot h^{-1} - cfm$		42 - 24,7	50 - 29,4	
Pumping speed at 1 mbar inlet pressure ⁽¹⁾ $m^3 \cdot h^{-1} - cfm$		30 - 17,6	34 - 20	
E40.R HV	Without gas ballast	End vacuum mbar - torr	$\leq 6 \cdot 10^{-2} - 4,5 \cdot 10^{-2}$	$\leq 6 \cdot 10^{-2} - 4,5 \cdot 10^{-2}$
		End vacuum mbar - torr	$\leq 6 \cdot 10^{-1} - 4,5 \cdot 10^{-1}$	$\leq 6 \cdot 10^{-1} - 4,5 \cdot 10^{-1}$
	Opened gas ballast 1,5 rotation	Water vapor permitted maximum pressure mbar - torr	13,6 - 10,2	18,4 - 13,8
		Water vapor capacity $kg \cdot h^{-1}$	0,34	0,53
	Fully opened gas ballast	End vacuum mbar - torr	$\leq 6 - 4,5$	$\leq 6 - 4,5$
		Water vapor permitted maximum pressure mbar - torr	143 - 107	326 - 244
Water vapor capacity $kg \cdot h^{-1}$		3,7	10,6	
E40.R	Without gas ballast	End vacuum mbar - torr	$\leq 2 - 1,5$	$\leq 2 - 1,5$
	Fully opened gas ballast	End vacuum mbar - torr	$\leq 3 - 2,2$	$\leq 3 - 2,2$
		Water vapor permitted maximum pressure mbar - torr	107 - 80	233 - 174
	Water vapor capacity $kg \cdot h^{-1}$	2,7	7,5	
100 % synthetic oil		MV99S	MV99S	
Oil capacity l - qt		1 - 1,1	1 - 1,1	
Noise level dB(A)		58	60	

⁽¹⁾ Measurements according to PNEUROP 6602 specifications - 20°C

Versions

GEOGRAPHIC	EUROPE		ASIA MIDDLE-EAST	SOUTH AMERICA	USA	JAPAN	
Electrical motor	Number of phases	1	3	3	3	3	
	Voltage V	230	230 / 400	220 / 380	190 / 380	208-230/460	200 / 380
	Period Hz	50	50	50 / 60	50	60	50/ 60
	Motor power	1,10 kW	1,10 kW	1,10 / 1,32 kW	1,10 kW	2 HP	1,10 / 1,32 kW
	Rotation speed min^{-1}	1500	1500	1500/1800	1500	1800	1500/1800
Inlet connection ⁽²⁾	1" BSP	1" BSP	1" BSP	1" NPT	1" NPT	1" BSP	
Outlet connection ⁽³⁾	1" BSP	1" BSP	1" BSP	1" NPT	1" NPT	1" BSP	
Weight with oil $kg - lb$	35,5 - 78,3	34,3 - 75,6	34,3 - 75,6	35 - 77,2	35 - 77,2	35 - 77,2	

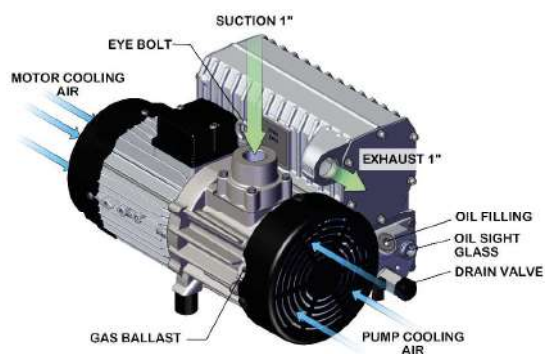
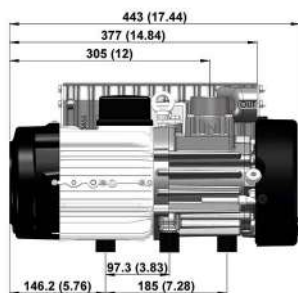
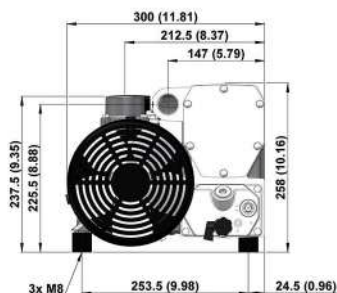
⁽²⁾ DN 40 ISO-KF adaptation flange can be supplied, see accessories

⁽³⁾ DN 25 ISO-KF connector can be supplied, see accessories

Specifications are subject to be changed without notice.

Lubricated rotary vane vacuum pumps

Dimensions mm (inch)



References

	E40.R HV		E40.R	
	WITH GAS BALLAST	WITHOUT GAS BALLAST	WITH GAS BALLAST	WITHOUT GAS BALLAST
EUROPE 1ph, 230V-50Hz	824180	824182	824184	824186
EUROPE / ASIA 3ph, 230/400V-50Hz, 220/380V-50/60Hz	824093	824188	824092	824190
SOUTH AMERICA / USA 3ph, 190/380V-50Hz, 208-230/460V-60Hz	824095	824192	824194	824196
JAPAN 3ph, 200/380V-50/60Hz	824097	824198	824200	824202

Oxygen version available - Contact us

HV Accessories - KF connection



1 Suction filter DN40KF -Type 100

Suction flange DN40KF	625018	
1 Suction filter DN40KF - Type 100	Paper cartridge	625009
	Polyester cartridge	625010
	Carbon cartridge	625011
Aluminium clamping ring DN40KF	361639	
Stainless steel / Viton DN40KF centering ring	361642	
Stainless steel DN40KF hose - 0,5 m	361646	
Stainless steel DN40KF hose - 1 m	361647	
Elbow DN40KF	333818	
Equal T-square DN40KF	333819	
Manual ball valve DN40KF	333820	
Solenoid valve DN40KF	333821	
Exhaust adapter 1" BSP - DN25KF	625019	

Maintenance kits

3 000 hour usual maintenance with silicone o'ring for oil mist filter	724572
3 000 hour usual maintenance with viton o'ring for oil mist filter	724573
12 000 hour preventive maintenance	724574



3 000 hour usual maintenance



12 000 hour preventive maintenance

Oxygen version maintenance available - Contact us

Specifications are subject to be changed without notice.



Accessories and Options

Additional rubber foot		625169	
1	Oil Level Safety (OLS) with float	625020	
PT100 temperature sensor		625021	
NC bimetal temperature safety - opening at 120°C - Max 24V		625022	
2	1" BSP suction filter Type 100	Paper cartridge	714975
		Polyester cartridge	714976
		Carbon cartridge	714977
Ø63 vacuum gauge fitted on filter		617536	
1" BSP polyester/carbon double filtration 100PO + 100CH		625023	
Adjusting valve fitted on T-square MF 1" BSP		714979	
3	Liquid trap 100 48 m ³ .h ⁻¹ 1" BSP	Aluminium head / plexiglass cylinder / without mechanical float	724793
		Aluminium head / plexiglass cylinder / with mechanical float	724794
		Aluminium head / Pyrex cylinder / without mechanical float	724807
		Aluminium head / Pyrex cylinder / with mechanical float	724808
		Stainless steel head / Pyrex cylinder / without mechanical float	724795
		Stainless steel head / Pyrex cylinder / with mechanical float	724796
		Pyrex bottle 250 ml under trap assembly	615441
		Pyrex bottle 500 ml under trap assembly	615442
Pyrex bottle 1000 ml under trap assembly		615443	
Electro-pneumatic automatic drain with control board		816002	
Electrical automatic drain with control board		816003	
Vacuum hose (0,6 m) MF 1" BSP		618265	
Vacuum hose (1 m) MF 1" BSP		617372	
Vacuum hose (1,5 m) MF 1" BSP		618266	
Vacuum hose (2 m) MF 1" BSP		616179	
Suction hose (1m) MM 1" with no return valve		714980	
No return valve MF 1" BSP		618457	
Base frame assembly height 150 mm		625012	
4	Elevated base frame (H=525 mm)	For 1 pump	625013
		For 2 pumps	625014
		For 3 pumps	625015
Direct starter (wall mounting)	Without regulation contact 3-ph 400V + E	770496	
	Without regulation contact 1-ph 230V + E	770504	
	With regulation contact LG7 3-ph 400V + N + E	710423	
	With regulation contact LG7 1-ph 230V + E	710435	
	With regulation contact LG7 + OLS Timer 3-ph 400V + N + E	724570	
With regulation contact LG7 + OLS Timer 1-ph 230V + E		724571	
Direct starter with regulation contact LG7 and Flexo valve for warm up and degasing system - 3-ph 400V + N + E		724580	
Direct starter with regulation contact LG7 and Flexo valve for warm up and degasing system - 1-ph 230V + E		724581	
Electrical cable (3m) with ON/OFF switch -1-ph 230V + E		625016	
Direct starter support for base fixation		625017	



1 Oil Level Safety



2 suction filter
type 100



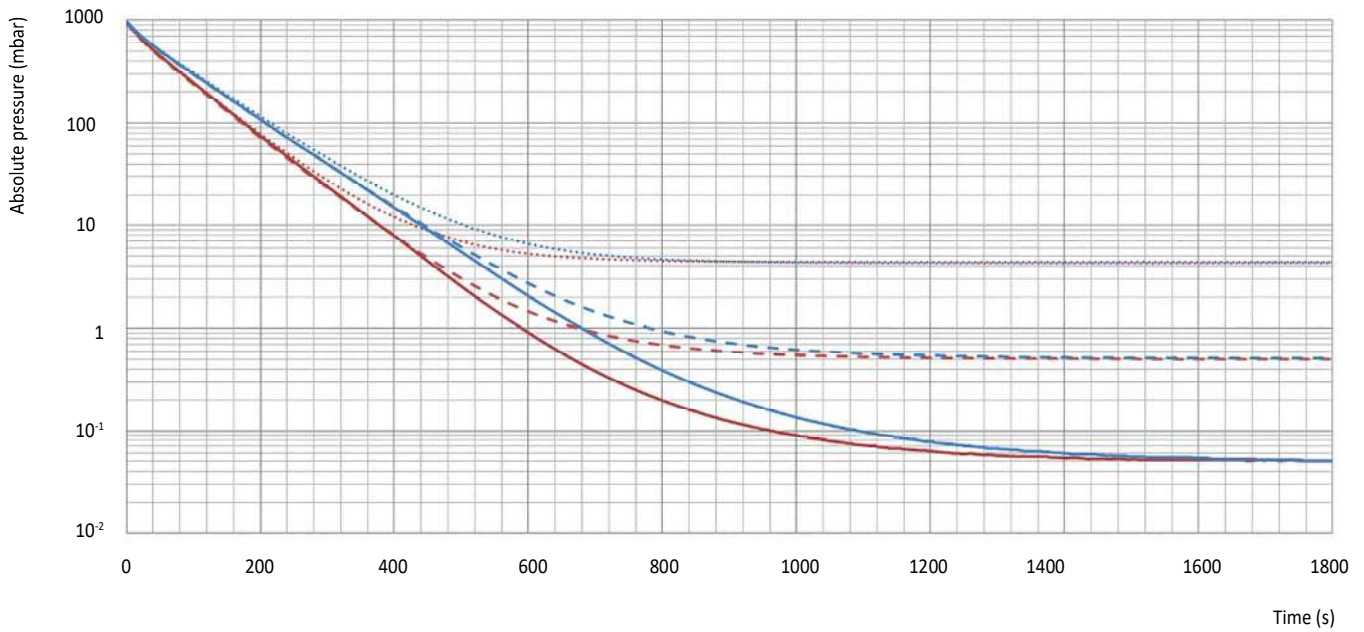
3 Liquid trap 100
with mechanical
stop and
optional bottle



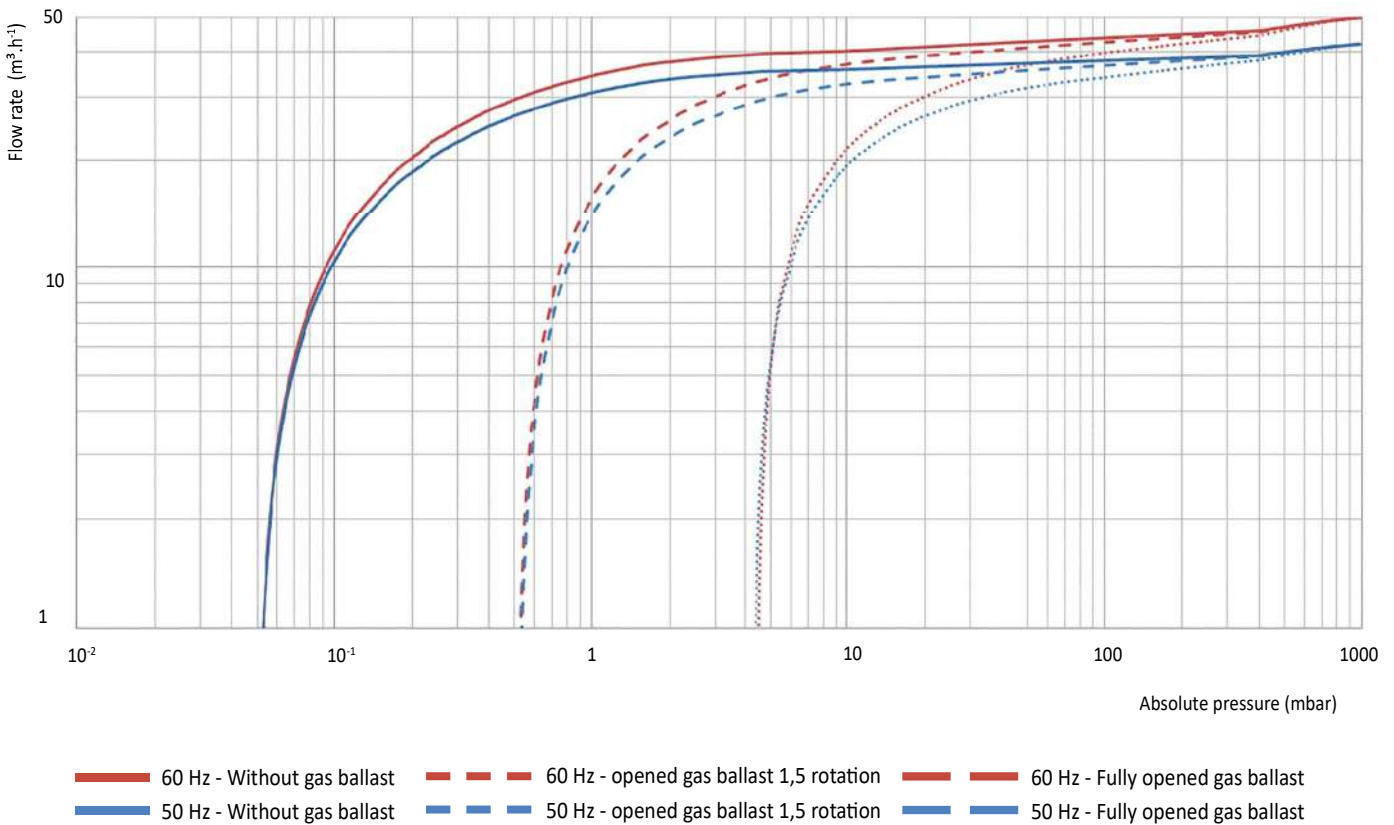
4 Elevated base frame
for 2 pumps

Lubricated rotary vane vacuum pumps

Pumping speed on 1000 l vessel



Performance curves





EVISA E65.R



The lubricated rotary vane pumps EVISA are designed to be used in a wide range of industrial and healthcare applications.

They can run continuously from atmospheric pressure to ultimate vacuum.

They are silent and extremely robust.

- Single stage vacuum pump with the end vacuum of $6 \cdot 10^{-2}$ mbar
- Compactness and noise level optimized for an easy integration in machines
- High water vapor pumping capacity with finely adjustable gas ballast
- Designed for light onsite maintenance without piping disconnection
- Integrated oil mist filter on the exhaust
- IE3 motor

Technical characteristics

		50 Hz	60 Hz	
E65.R HV	Nominal flow rate $m^3 \cdot h^{-1} - cfm$	68 - 40	81,6 - 48	
	PNEUROP pumping speed ⁽¹⁾ $m^3 \cdot h^{-1} - cfm$	65 - 38,2	78 - 45,9	
	Pumping speed at 1 mbar inlet pressure ⁽¹⁾ $m^3 \cdot h^{-1} - cfm$	40 - 23,5	48 - 28,2	
	Without gas ballast	End vacuum mbar - torr	$\leq 6 \cdot 10^{-2} - 4,5 \cdot 10^{-2}$	$\leq 6 \cdot 10^{-2} - 4,5 \cdot 10^{-2}$
		End vacuum mbar - torr	$\leq 5 \cdot 10^{-1} - 3,8 \cdot 10^{-1}$	$\leq 5 \cdot 10^{-1} - 3,8 \cdot 10^{-1}$
	Opened gas ballast 3 rotations	Water vapor permitted maximum pressure mbar - torr	50 - 37,5	42 - 31,5
		Water vapor capacity $kg \cdot h^{-1}$	2	1,9
	Fully opened gas ballast	End vacuum mbar - torr	$\leq 3 - 2,3$	$\leq 3 - 2,3$
		Water vapor permitted maximum pressure mbar - torr	80 - 60	67 - 50
		Water vapor capacity $kg \cdot h^{-1}$	3	3
E65.R	Without gas ballast	End vacuum mbar - torr	$\leq 3 - 2,3$	$\leq 3 - 2,3$
		End vacuum mbar - torr	$\leq 5 - 3,8$	$\leq 5 - 3,8$
	Fully opened gas ballast	Water vapor permitted maximum pressure mbar - torr	49 - 36,7	43 - 32,2
		Water vapor capacity $kg \cdot h^{-1}$	1,7	1,7
100 % synthetic oil		MV99S	MV99S	
Oil capacity l - qt		3 - 3,2	3 - 3,2	
Noise level dB(A)		67	72	

⁽¹⁾ Measurements according to PNEUROP 6602 specifications - 20°C

Versions

GEOGRAPHIC ZONE	EUROPE	ASIA MIDDLE-EAST	SOUTH AMERICA	USA	JAPAN	
Electrical motor	Number of phases	3	3	3	3	
	Voltage V	230 / 400	220 / 380	190 / 380	208-230 / 460	200 / 380
	Period Hz	50	60	50	60	50/ 60
	Motor power	1,50 kW	1,80 kW	1,50 kW	3 HP	1,50 / 1,80 kW
	Rotation speed min^{-1}	1500	1800	1500	1800	1500/1800
Inlet connection ⁽²⁾	1"1/4 BSP	1"1/4 BSP	1"1/4 NPT	1"1/4 NPT	1"1/4 BSP	
Outlet connection ⁽³⁾	1" 1/4 BSP	1" 1/4 BSP	1" 1/4 NPT	1" 1/4 NPT	1"1/4 BSP	
Weight with oil $kg - lb$	63,4 - 139,8	71,6 - 157,9	78,5 - 173,1	78,5 - 173,1	63,4 - 139,8	

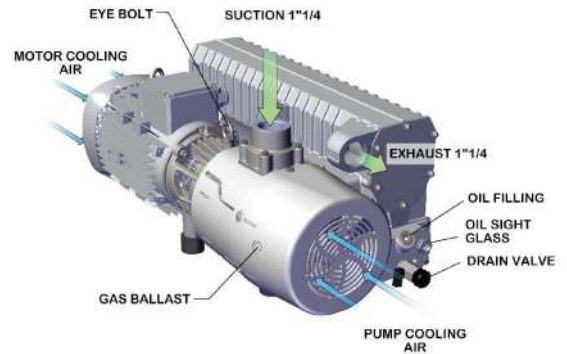
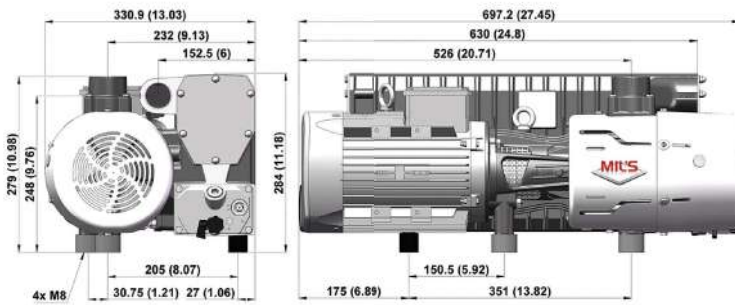
⁽²⁾ DN 40 ISO-KF adaptation flange can be supplied, see accessories

⁽³⁾ DN 40 ISO-KF connector can be supplied, see accessories

Specifications are subject to be changed without notice.

Lubricated rotary vane vacuum pumps

Dimensions mm (inch)



References

	E65.R HV		E65.R	
	WITH GAS BALLAST	WITHOUT GAS BALLAST	WITH GAS BALLAST	WITHOUT GAS BALLAST
EUROPE 3ph, 230/400V-50Hz	824247	824248	824245	824246
SOUTH AMERICA/ USA 3ph, 190/380V-50Hz, 208-230/460V-60Hz	824255	824256	824253	824254
ASIA / MIDDLE-EAST 3ph, 220/380V-60Hz	824263	824264	824261	824262

JAPAN version - Contact us

Oxygen version available - Contact us

HV Accessories - KF connection



1 Suction filter DN40KF -Type 100

Suction flange DN40KF	625018	
1 Suction filter DN40KF - Type 100	Paper cartridge	625009
	Polyester cartridge	625010
	Carbon cartridge	625011
Aluminium clamping ring DN40KF	361639	
Stainless steel / Viton DN40KF centering ring	361642	
Stainless steel DN40KF hose - 0,5 m	361646	
Stainless steel DN40KF hose - 1 m	361647	
Elbow DN40KF	333818	
Equal T-square DN40KF	333819	
Manual ball valve DN40KF	333820	
Solenoid valve DN40KF	333821	
Exhaust adapter 1"1/4 BSP - DN40KF	625109	

Maintenance kits

3 000 hour usual maintenance with silicone o'ring for oil mist filter	724601
3 000 hour usual maintenance with viton o'ring for oil mist filter	724602
12 000 hour preventive maintenance	724603

Oxygen version maintenance available - Contact us



3 000 hour usual maintenance



12 000 hour preventive maintenance

Specifications are subject to be changed without notice.



Accessories and Options

1	Oil Level Safety (OLS) with float		625369
	PT100 temperature sensor		625021
	NC bimetal temperature safety - opening at 120°C - Max 24V		625022
2	1"1/4 BSP suction filter Type 126	Paper cartridge	706192
		Polyester cartridge	709398
		Carbon cartridge	710521
	Ø126 vacuum gauge fitted on filter		617536
	1"1/4 BSP polyester/carbon double filtration 126PO + 126CH		670617
	Adjusting valve fitted on T-square		713841
3	Liquid trap 125 120 m³.h⁻¹ 1"1/4 BSP	Aluminium head / plexiglass cylinder / without mechanical float	724797
		Aluminium head / plexiglass cylinder / with mechanical float	724798
		Aluminium head / Pyrex cylinder / without mechanical float	724811
		Aluminium head / Pyrex cylinder / with mechanical float	724812
		Stainless steel head / Pyrex cylinder / without mechanical float	724799
		Stainless steel head / Pyrex cylinder / with mechanical float	724800
		Pyrex bottle 250 ml under trap assembly	615441
		Pyrex bottle 500 ml under trap assembly	615442
	Pyrex bottle 1000 ml under trap assembly	615443	
	Electro-pneumatic automatic drain with control board		816002
	Electrical automatic drain with control board		816003
	Vacuum hose (0,6 m) MF 1"1/4 BSP		670650
	Vacuum hose (1 m) MF 1"1/4 BSP		607058
	Vacuum hose (1,5 m) MF 1"1/4 BSP		610457
	Suction hose (1m) MM 1"1/4 with no return valve		770152
	Exhaust double elbow mounting		625480
	Base frame assembly height 150 mm		625209
4	Elevated base frame (H=525 mm)	For 1 pump	624611
		For 2 pumps	619544
		For 3 pumps	617614
Direct starter (wall mounting)	Without regulation contact 3-ph 400V		770496
	Without regulation contact 3-ph 230V		770498
	With regulation contact LG7 3-ph 400V		710423
	With regulation contact LG7 3-ph 230V		710432
	Control board with FLEXO solenoid valve 3-ph ,400V + N for warm up and degasing cycle		770813
	Control board with FLEXO solenoid valve 3-ph ,400V + N for degasing cycle		770820



1 Oil Level Safety



2 suction filter type 126



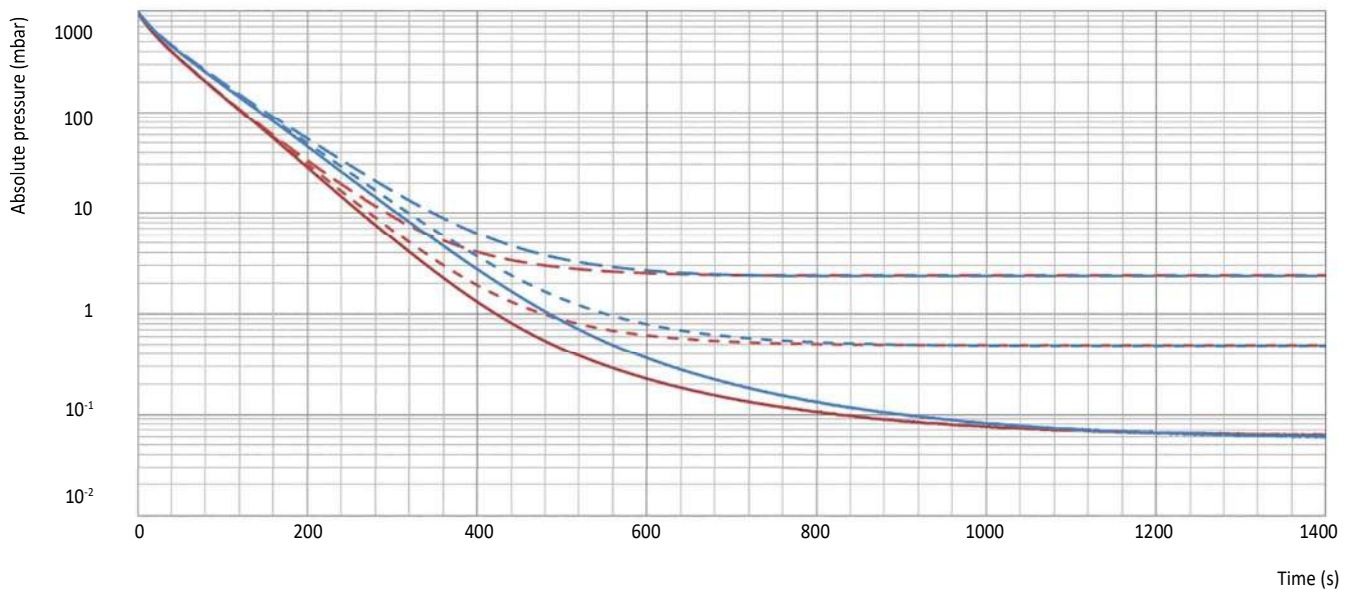
3 Liquid trap 125 with mechanical stop and optional bottle



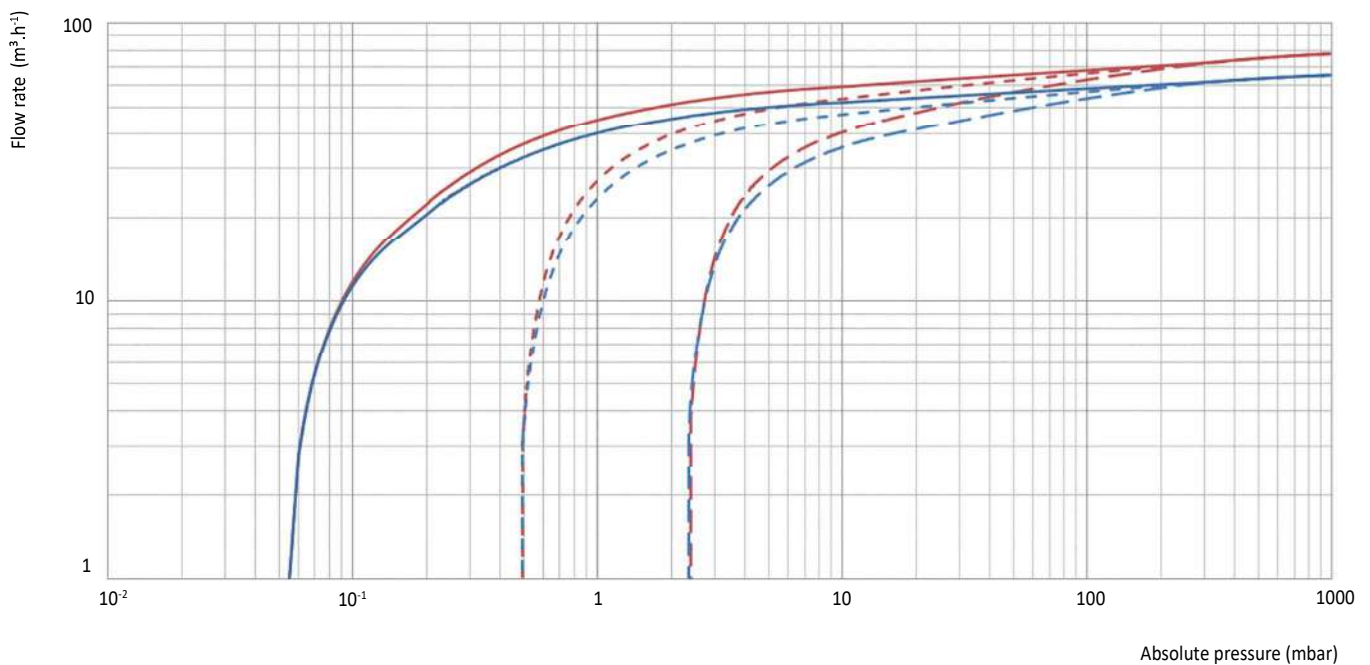
4 Elevated base frame for 2 pumps

Lubricated rotary vane vacuum pumps

Pumping speed on 1000 l vessel



Performance curves



- 60 Hz - Without gas ballast
 - - - 60 Hz - opened gas ballast 1,5 rotation
 — 60 Hz - Fully opened gas ballast
- 50 Hz - Without gas ballast
 - - - 50 Hz - opened gas ballast 1,5 rotation
 — 50 Hz - Fully opened gas ballast

Specifications are subject to be changed without notice.



EVISA E100.R



The lubricated rotary vane pumps EVISA are designed to be used in a wide range of industrial and healthcare applications.

They can run continuously from atmospheric pressure to ultimate vacuum.

They are silent and extremely robust.

- Single stage vacuum pump with the end vacuum of $6 \cdot 10^{-2}$ mbar
- Compactness and noise level optimized for an easy integration in machines
- High water vapor pumping capacity with finely adjustable gas ballast
- Designed for light onsite maintenance without piping disconnection
- Integrated oil mist filter on the exhaust
- IE3 motor

Technical characteristics

		50 Hz	60 Hz	
E100.R HV	Nominal flow rate $\text{m}^3 \cdot \text{h}^{-1}$ - <i>cfm</i>	100 - 58,8	120 - 70,6	
	PNEUROP pumping speed ⁽¹⁾ $\text{m}^3 \cdot \text{h}^{-1}$ - <i>cfm</i>	96 - 56,5	115 - 67,7	
	Pumping speed at 1 mbar inlet pressure ⁽¹⁾ $\text{m}^3 \cdot \text{h}^{-1}$ - <i>cfm</i>	52 - 30,6	62 - 36,5	
	Without gas ballast End vacuum mbar - <i>torr</i>	$\leq 6 \cdot 10^{-2}$ - $4,5 \cdot 10^{-2}$	$\leq 6 \cdot 10^{-2}$ - $4,5 \cdot 10^{-2}$	
	Opened gas ballast 3 rotations	End vacuum mbar - <i>torr</i>	$\leq 5 \cdot 10^{-1}$ - $3,8 \cdot 10^{-1}$	$\leq 5 \cdot 10^{-1}$ - $3,8 \cdot 10^{-1}$
		Water vapor permitted maximum pressure mbar - <i>torr</i>	59 - 44,2	49 - 36,7
		Water vapor capacity $\text{kg} \cdot \text{h}^{-1}$	3,4	3,2
	Fully opened gas ballast	End vacuum mbar - <i>torr</i>	≤ 2 - 1,5	≤ 2 - 1,5
		Water vapor permitted maximum pressure mbar - <i>torr</i>	95 - 71,2	79 - 59,2
		Water vapor capacity $\text{kg} \cdot \text{h}^{-1}$	5,5	5,2
E100.R	Without gas ballast End vacuum mbar - <i>torr</i>	≤ 3 - 2,3	≤ 3 - 2,3	
	Fully opened gas ballast	End vacuum mbar - <i>torr</i>	≤ 5 - 3,8	≤ 5 - 3,8
		Water vapor permitted maximum pressure mbar - <i>torr</i>	69 - 51,7	60 - 45
		Water vapor capacity $\text{kg} \cdot \text{h}^{-1}$	3,8	3,8
100 % synthetic oil	MV99S	MV99S		
Oil capacity l - <i>qt</i>	3 - 3,2	3 - 3,2		
Noise level dB(A)	67	69		

⁽¹⁾ Measurements according to PNEUROP 6602 specifications - 20°C

Versions

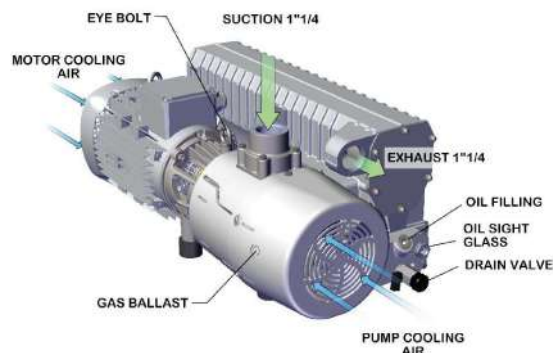
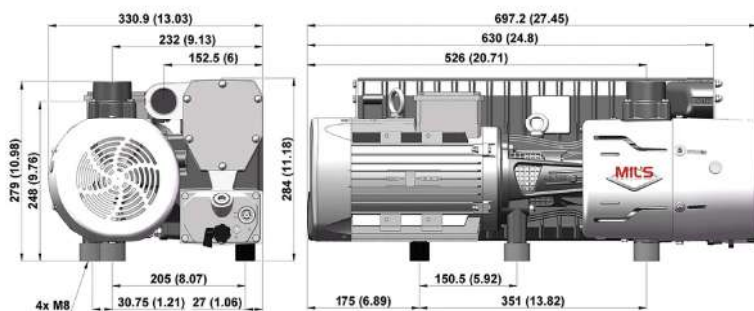
GEOGRAPHIC ZONE	EUROPE	ASIA MIDDLE-EAST	SOUTH AMERICA	USA	JAPAN
Number of phases	3	3	3	3	3
Voltage V	230 / 400	220 / 380	190 / 380	208-230 / 460	200 / 380
Period Hz	50	60	50	60	50 / 60
Motor power	2,20 kW	2,64 kW	2,20 kW	5 HP	2,20 / 2,64 kW
Rotation speed min^{-1}	1500	1800	1500	1800	1500/1800
Inlet connection ⁽²⁾	1"1/4 BSP	1"1/4 BSP	1"1/4 NPT	1"1/4 NPT	1"1/4 BSP
Outlet connection ⁽³⁾	1" 1/4 BSP	1" 1/4 BSP	1" 1/4 NPT	1" 1/4 NPT	1"1/4 BSP
Weight with oil kg - <i>lb</i>	67,2 - 148,2	67,2 - 148,2	85,5 - 188,5	85,5 - 188,5	67,2 - 148,2

⁽²⁾ DN 40 ISO-KF adaptation flange can be supplied, see accessories

⁽³⁾ DN 40 ISO-KF connector can be supplied, see accessories

Lubricated rotary vane vacuum pumps

Dimensions mm (inch)



References

	E100.R HV		E100.R	
	WITH GAS BALLAST	WITHOUT GAS BALLAST	WITH GAS BALLAST	WITHOUT GAS BALLAST
EUROPE 3ph, 230/400V-50Hz	824251	824252	824249	824250
SOUTH AMERICA/ USA 3ph, 190/380V-50Hz, 208-230/460V-60Hz	824259	824260	824257	824258
ASIA / MIDDLE-EAST 3ph, 220/380V-60Hz	824267	824268	824265	824266

JAPAN version - Contact us
Oxygen version available - Contact us

HV Accessories - KF connection



1 Suction filter DN40KF -Type 100

Suction flange DN40KF	625018	
1 Suction filter DN40KF - Type 100	Paper cartridge	625009
	Polyester cartridge	625010
	Carbon cartridge	625011
Aluminium clamping ring DN40KF	361639	
Stainless steel / Viton DN40KF centering ring	361642	
Stainless steel DN40KF hose - 0,5 m	361646	
Stainless steel DN40KF hose - 1 m	361647	
Elbow DN40KF	333818	
Equal T-square DN40KF	333819	
Manual ball valve DN40KF	333820	
Solenoid valve DN40KF	333821	
Exhaust adapter 1"1/4 BSP - DN40KF	625109	

Maintenance kits

3 000 hour usual maintenance with silicone o'ring for oil mist filter	724601
3 000 hour usual maintenance with viton o'ring for oil mist filter	724602
12 000 hour preventive maintenance	724604

Oxygen version maintenance available - Contact us



3 000 hour usual maintenance



12 000 hour preventive maintenance

Specifications are subject to be changed without notice.



Accessories and Options

1	Oil Level Safety (OLS) with float	625369	
	PT100 temperature sensor	625021	
	NC bimetal temperature safety - opening at 120°C - Max 24V	625022	
2	1"1/4 BSP suction filter Type 126	Paper cartridge	706192
		Polyester cartridge	709398
		Carbon cartridge	710521
	Ø126 vacuum gauge fitted on filter	617536	
	1"1/4 BSP polyester/carbon double filtration 126PO + 126CH	670617	
	Adjusting valve fitted on T-square	713841	
3	Liquid trap 125 120 m ³ .h ⁻¹ 1"1/4 BSP	Aluminium head / plexiglass cylinder / without mechanical float	724797
		Aluminium head / plexiglass cylinder / with mechanical float	724798
		Aluminium head / Pyrex cylinder / without mechanical float	724811
		Aluminium head / Pyrex cylinder / with mechanical float	724812
		Stainless steel head / Pyrex cylinder / without mechanical float	724799
		Stainless steel head / Pyrex cylinder / with mechanical float	724800
		Pyrex bottle 250 ml under trap assembly	615441
Pyrex bottle 500 ml under trap assembly	615442		
	Pyrex bottle 1000 ml under trap assembly	615443	
	Electro-pneumatic automatic drain with control board	816002	
	Electrical automatic drain with control board	816003	
	Vacuum hose (0,6 m) MF 1"1/4 BSP	670650	
	Vacuum hose (1 m) MF 1"1/4 BSP	607058	
	Vacuum hose (1,5 m) MF 1"1/4 BSP	610457	
	Suction hose (1m) MM 1"1/4 with no return valve	770152	
	Exhaust double elbow mounting	625480	
	Base frame assembly height 150 mm	625209	
4	Elevated base frame (H=525 mm)	For 1 pump	624611
		For 2 pumps	619544
		For 3 pumps	617614
Direct starter (wall mounting)	Without regulation contact 3-ph 400V	770497	
	Without regulation contact 3-ph 230V	770498	
	With regulation contact LG7 3-ph 400V	710424	
	With regulation contact LG7 3-ph 230V	710432	
	Control board with FLEXO solenoid valve 3-ph, 400V + N for warm up and degasing cycle	770814	
	Control board with FLEXO solenoid valve 3-ph, 400V + N for degasing cycle	770821	



1 Oil Level Safety



2 suction filter type 126



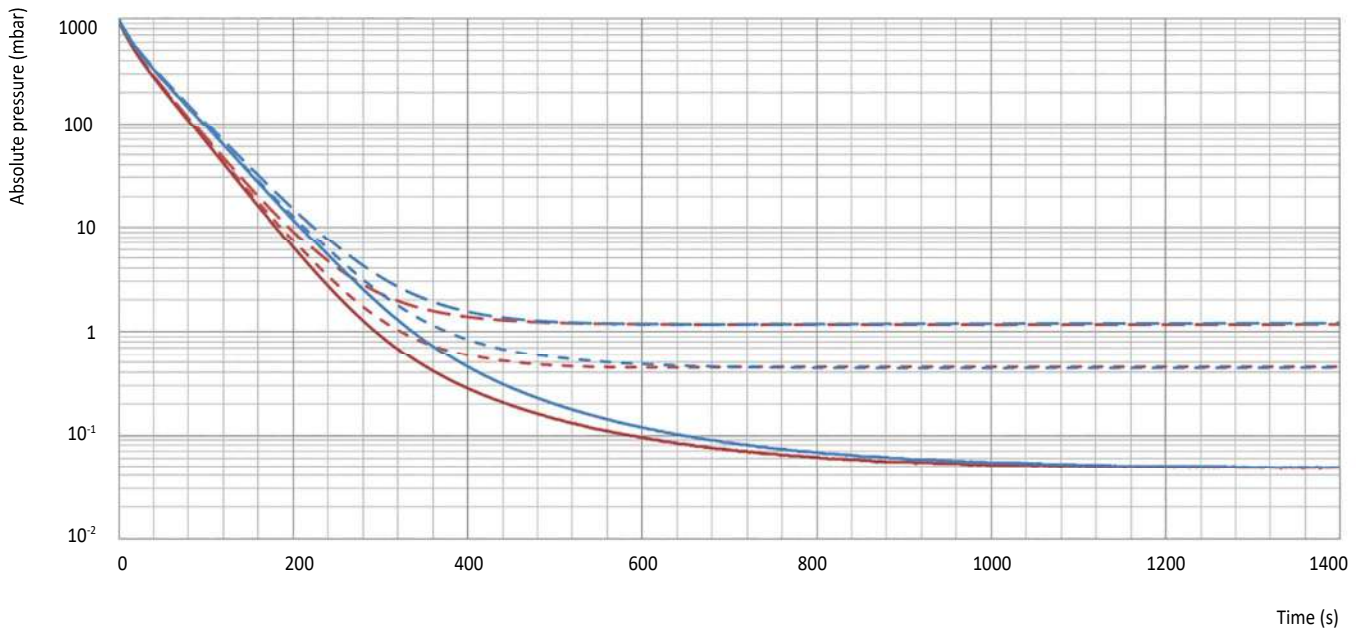
3 Liquid trap 125 with mechanical stop and optional bottle



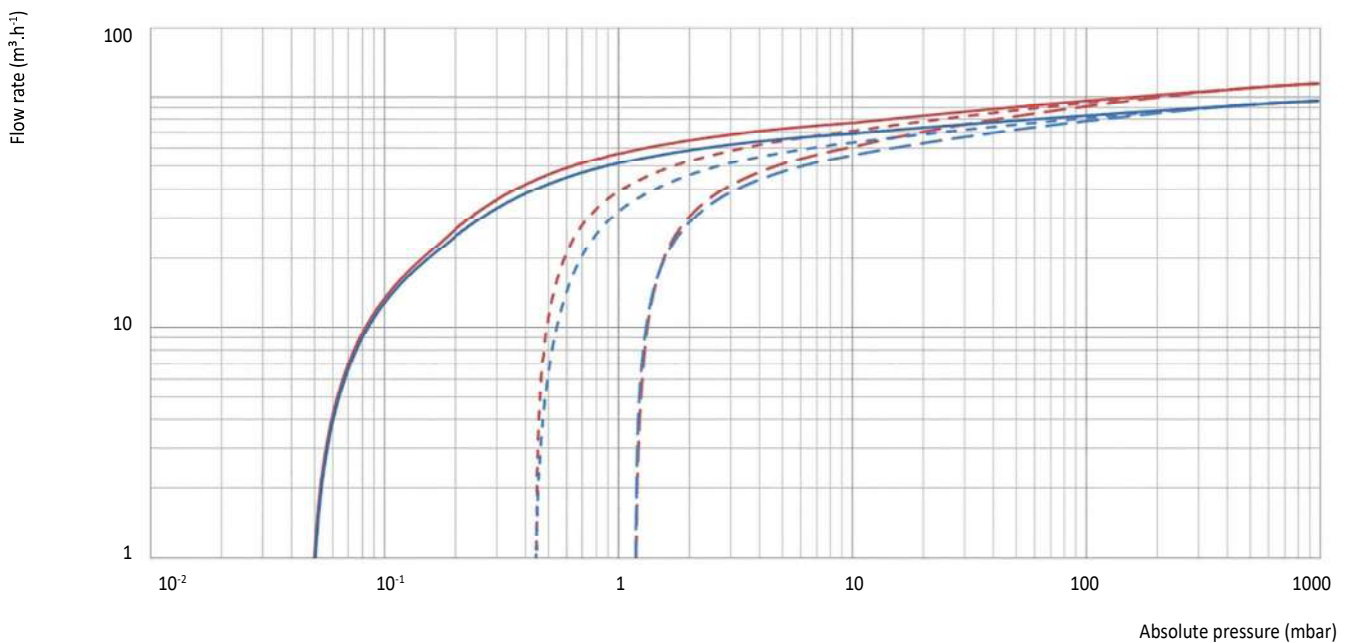
4 Elevated base frame for 2 pumps

Lubricated rotary vane vacuum pumps

Pumping speed on 1000 l vessel



Performance curves



- 60 Hz - Without gas ballast
 - - - 60 Hz - opened gas ballast 1,5 rotation
 — 60 Hz - Fully opened gas ballast
- 50 Hz - Without gas ballast
 - - - 50 Hz - opened gas ballast 1,5 rotation
 — 50 Hz - Fully opened gas ballast



EVISA E150.R



The lubricated rotary vane pumps EVISA are designed to be used in a wide range of industrial and healthcare applications.

They can run continuously from atmospheric pressure to ultimate vacuum.

They are silent and extremely robust.

- Single stage vacuum pump
- Continuous operation from atmospheric pressure to end vacuum : $8 \cdot 10^{-2}$ mbar
- High pumping speed even at low pressure
- Integrated oil mist filter on the exhaust
- IE3 motor

Technical characteristics

		50 Hz	60 Hz
Nominal flow rate $m^3 \cdot h^{-1} - cfm$		132 - 77,7	156 - 91,8
PNEUROP pumping speed ⁽¹⁾ $m^3 \cdot h^{-1} - cfm$		125 - 73,6	150 - 88,3
Pumping speed at 1 mbar inlet pressure ⁽¹⁾ $m^3 \cdot h^{-1} - cfm$		95 - 55,9	114 - 67,1
E150.R HV	Without gas ballast End vacuum mbar - torr	$\leq 8 \cdot 10^{-2} - 6 \cdot 10^{-2}$	$\leq 8 \cdot 10^{-2} - 6 \cdot 10^{-2}$
	Fully opened gas ballast		
	End vacuum mbar - torr	$\leq 2 - 1,5$	$\leq 2 - 1,5$
	Water vapor permitted maximum pressure mbar - torr	58,8 - 44,1	70,3 - 52,8
	Water vapor capacity $kg \cdot h^{-1}$	4,2	6,2
E150.R	Without gas ballast End vacuum mbar - torr	$\leq 3 - 2,3$	$\leq 3 - 2,3$
	Fully opened gas ballast		
	End vacuum mbar - torr	$\leq 5 - 3,8$	$\leq 5 - 3,8$
	Water vapor permitted maximum pressure mbar - torr	41 - 30,7	49 - 36,7
	Water vapor capacity $kg \cdot h^{-1}$	2,9	4,3
100 % synthetic oil		MV99S	MV99S
Oil capacity l - qt		5 - 5,3	5 - 5,3
Noise level dB(A)		69	72

⁽¹⁾ Measurements according to PNEUROP 6602 specifications - 20°C

⁽²⁾ 260/460V 60 Hz only

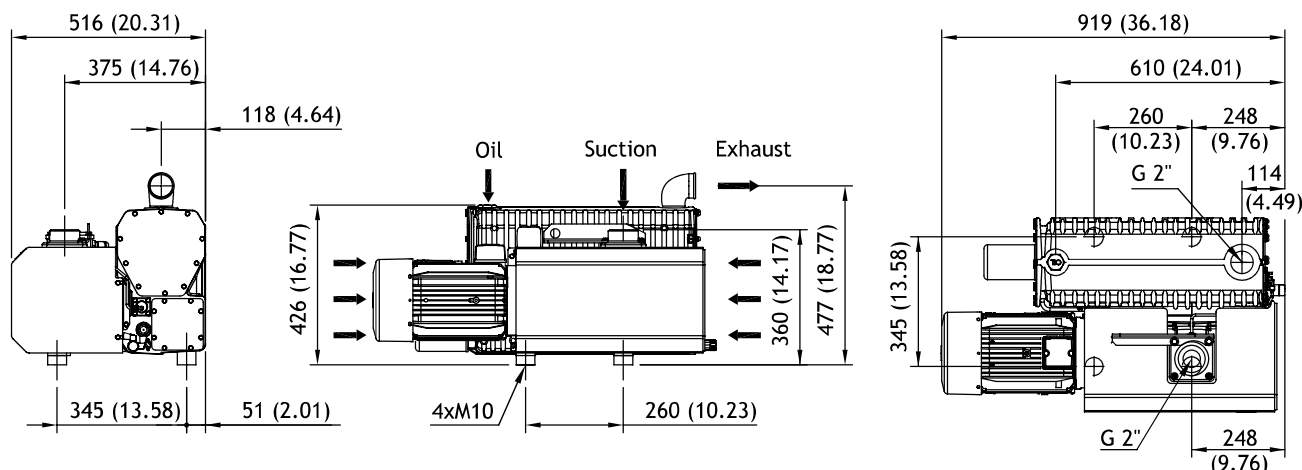
Versions

GEOGRAPHIC ZONE	EUROPE	SOUTH AMERICA	USA
Number of phases	3	3	3
Electrical motor			
Voltage V	230 / 400	190 / 380	208-230 / 460
Period Hz	50	50	60
Motor power	3 kW	3 kW	5 HP
Rotation speed min^{-1}	1000	1000	1200
Inlet connection ⁽²⁾	2" BSP	2" NPT	2" NPT
Outlet connection ⁽²⁾	2" BSP	2" NPT	2" NPT
Weight with oil kg - lb	154 - 340	174 - 384	174 - 384

⁽²⁾ DN 50 ISO-KF connector can be supplied, see accessories

Lubricated rotary vane vacuum pumps

Dimensions mm (inch)



References

	E150.R HV		E150.R	
	WITH GAS BALLAST	WITHOUT GAS BALLAST	WITH GAS BALLAST	WITHOUT GAS BALLAST
EUROPE 3ph, 230/400V-50Hz	823857 + 624229	823857	823856 + 624229	823856
SOUTH AMERICA / USA 3ph, 190/380V-50Hz, 208-230/460V-60Hz	824059 + 624229	824059	Contact us	Contact us

For booster direct mounting : contact us

Special versions

	E150.R HV		E150.R	
	WITH GAS BALLAST	WITHOUT GAS BALLAST	WITH GAS BALLAST	WITHOUT GAS BALLAST
OXYGEN with Fomblin oil 3ph, 230/400V-50Hz	823871 + 624229	823871	823870 + 624229	823870
EVISA H₂O 3ph, 230/400V-50Hz	Contact us	Contact us	823869 + 624229	823869

Maintenance kits

3 000 hour usual maintenance with silicone o'ring for oil mist filter	724054
3 000 hour usual maintenance with viton o'ring for oil mist filter	724055
12 000 hour preventive maintenance	724052
Gasket set	624230
3 000 hour usual maintenance for OXYGEN version	724089
12 000 hour preventive maintenance for OXYGEN version	724087



3 000 hour usual maintenance



12 000 hour preventive maintenance

Specifications are subject to be changed without notice.



Accessories and Options

1	Oil Level Safety (OLS) with float	624245	
	Timer box for oil level safety (base mounting)	670810	
	NC bimetal temperature safety - opening at 120°C + SNH - Max 24V	624246	
	Oil Level Safety and PT100 temperature sensor	624247	
	PT100 temperature sensor	624248	
2	2" BSP suction filter	Paper cartridge	715350
	Type 201	Polyester cartridge	715351
		Carbon cartridge	715352
	Vacuum gauge fitted on filter	617536	
	2" BSP paper/paper double filtration 201PA + 201PA	670615	
	2" BSP polyester/carbon double filtration 201PO + 201CH	670618	
3	Liquid trap 200 340 m ³ .h ⁻¹ 2" BSP	Aluminium head / polycarbonate cylinder / without float	724801
		Aluminium head / polycarbonate cylinder / with float	724802
		Stainless steel head/ Pyrex cylinder / without float	724803
		Stainless steel head / Pyrex cylinder / with float	724804
		Pyrex bottle 250 ml under trap assembly	615441
		Pyrex bottle 500 ml under trap assembly	615442
	Pyrex bottle 1000 ml under trap assembly	615443	
	Bracket for wall fixing	619907	
	Electro-pneumatic automatic drain with control board	816002	
	Electrical automatic drain with control board	816003	
	Adjusting valve fitted on T-square	713842	
	Vacuum hose (0,6 m) FF 2" BSP	618149	
	Vacuum hose (1 m) FF 2" BSP	606099	
	Vacuum hose (1,5 m) FF 2" BSP	607592	
	Suction hose with non-return valve (1 m)	770154	
	Exhaust double elbow mounting	622788	
	Base frame assembly height 150 mm	670806	
4	Elevated base frame (H=525 mm)	For 1 pump	617612
		For 2 pumps	619545
Direct starter (wall mounting)	Without regulation contact 3-ph 400V	770499	
	Without regulation contact 3-ph 230V	770500	
	With regulation contact LG7 3-ph 400V	710426	
	With regulation contact LG7 3-ph 230V	710434	
Control board with FLEXO solenoid valve 3-ph, 400V + N for warm up and degasing cycle		770815	
Control board with FLEXO solenoid valve 3-ph, 400V + N for degasing cycle		770822	
Aluminium adapter M2" / DN50 KF		117132	
Aluminium clamping collar DN50 KF		361640	
Centering ring stainless steel / VITON		361643	
Stainless steel hose (0,5 m) DN50 KF		361648	
Stainless steel hose (1 m) DN50 KF		361649	



1 Oil Level Safety



2 suction filter type 201



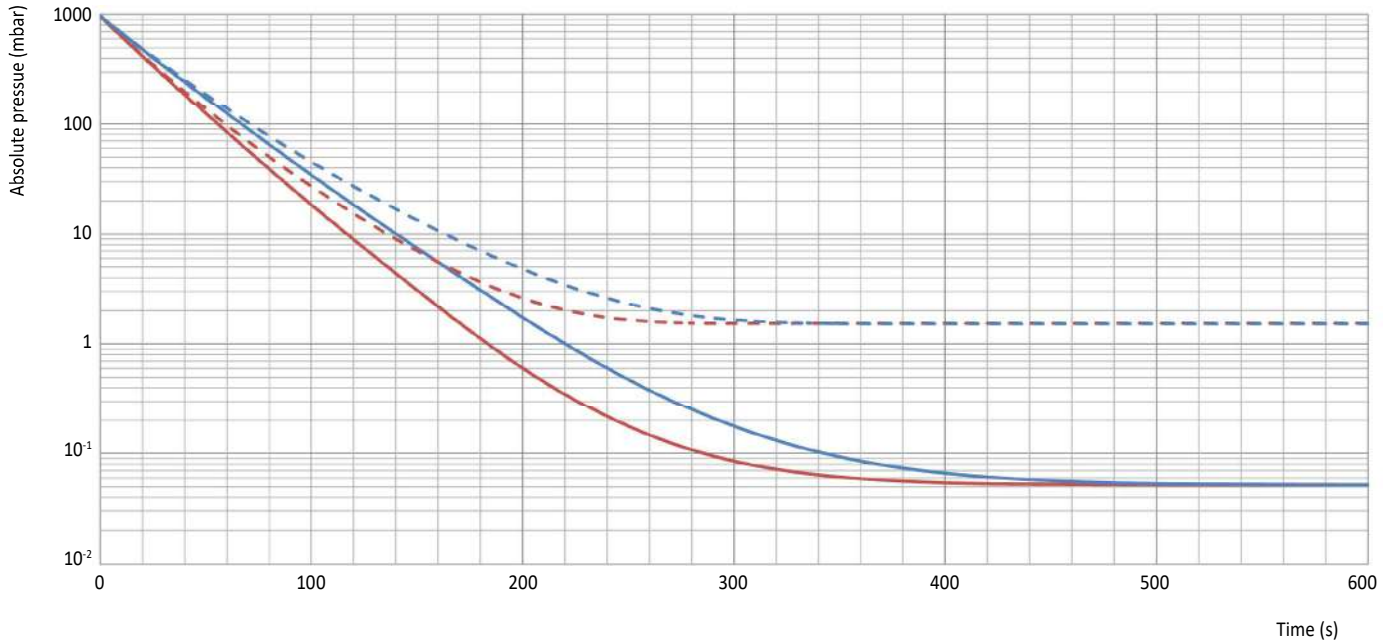
3 Liquid trap 200 with mechanical stop and optional bottle



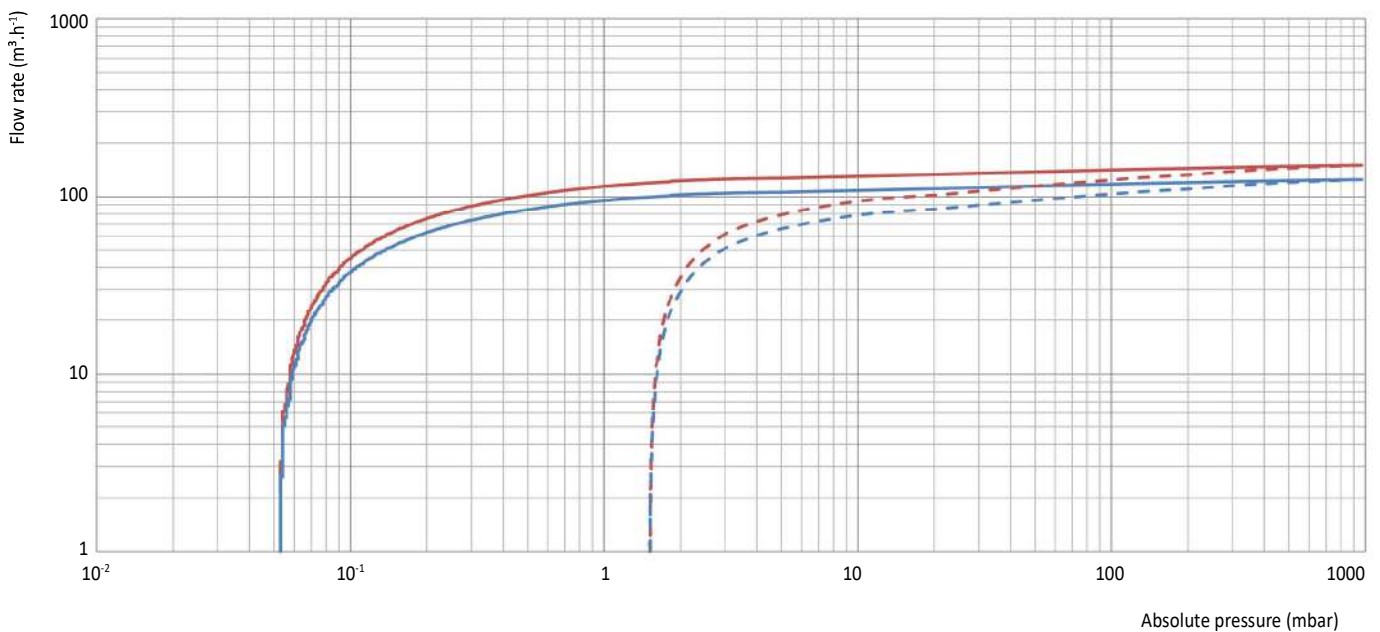
4 Elevated base frame for 2 pumps

Lubricated rotary vane vacuum pumps

Pumping speed on 1000 l vessel



Performance curves



— 60 Hz - without gas ballast
— 50 Hz - without gas ballast

- - - 60 Hz - with opened gas ballast
- - - 50 Hz - with opened gas ballast



EVISA E200.R



The lubricated rotary vane pumps EVISA are designed to be used in a wide range of industrial and healthcare applications.

They can run continuously from atmospheric pressure to ultimate vacuum.

They are silent and extremely robust.

- Single stage vacuum pump
- Continuous operation from atmospheric pressure to end vacuum : $6 \cdot 10^{-2}$ mbar
- High pumping speed even at low pressure
- Integrated oil mist filter on the exhaust
- IE3 motor

Technical characteristics

		50 Hz	60 Hz	
E200.R HV	Nominal flow rate $m^3 \cdot h^{-1} - cfm$	200 - 117,7	240 - 141,3	
	PNEUROP pumping speed ⁽¹⁾ $m^3 \cdot h^{-1} - cfm$	190 - 111,8	228 - 134,2	
	Pumping speed at 1 mbar inlet pressure ⁽¹⁾ $m^3 \cdot h^{-1} - cfm$	134 - 78,9	161 - 94,8	
	Without gas ballast End vacuum mbar - torr	$\leq 6 \cdot 10^{-2} - 4,5 \cdot 10^{-2}$	$\leq 6 \cdot 10^{-2} - 4,5 \cdot 10^{-2}$	
	Fully opened gas ballast			
	End vacuum mbar - torr	$\leq 1 - 0,75$	$\leq 1 - 0,75$	
	Water vapor permitted maximum pressure mbar - torr	20,2 - 15,1	21,3 - 15,9	
	Water vapor capacity $kg \cdot h^{-1}$	2,2	2,8	
E200.R	Without gas ballast End vacuum mbar - torr	$\leq 3 - 2,3$	$\leq 3 - 2,3$	
	Fully opened gas ballast			
		End vacuum mbar - torr	$\leq 5 - 3,8$	$\leq 5 - 3,8$
		Water vapor permitted maximum pressure mbar - torr	14 - 10,5	15 - 11,2
	Water vapor capacity $kg \cdot h^{-1}$	1,5	2	
	100 % synthetic oil	MV99S	MV99S	
	Oil capacity l - qt	5 - 5,3	5 - 5,3	
	Noise level dB(A)	71	77	

⁽¹⁾ Measurements according to PNEUROP 6602 specifications - 20°C

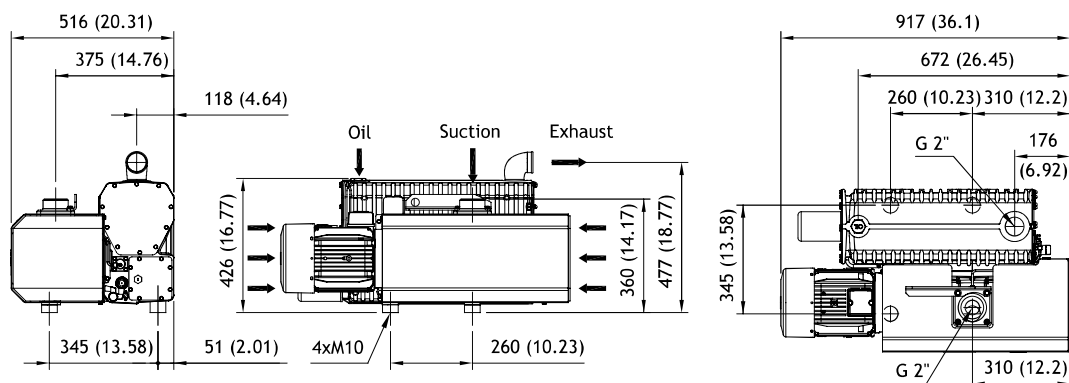
Versions

GEOGRAPHIC ZONE	EUROPE	ASIA MIDDLE-EAST	SOUTH AMERICA	USA	JAPAN
Number of phases	3	3	3	3	3
Electrical motor					
Voltage V	230 / 400	220 / 380	190 / 380	208-230 / 460	220 / 380
Period Hz	50	60	50	60	50 / 60
Motor power	4 kW	4,8 kW	4 kW	7,5 HP	4 / 4,8 kW
Rotation speed min^{-1}	1500	1800	1500	1800	1500 / 1800
Inlet connection ⁽²⁾	2" BSP	2" BSP	2" NPT	2" NPT	2" BSP
Outlet connection ⁽²⁾	2" BSP	2" BSP	2" NPT	2" NPT	2" BSP
Weight with oil $kg - lb$	143 - 316	158 - 349	174 - 384	174 - 384	160 - 353

⁽²⁾ DN 50 ISO-KF connector can be supplied, see accessories

Lubricated rotary vane vacuum pumps

Dimensions mm (inch)



References

	E200.R HV		E200.R	
	WITH GAS BALLAST	WITHOUT GAS BALLAST	WITH GAS BALLAST	WITHOUT GAS BALLAST
EUROPE 3ph, 230/400V-50Hz	823766 + 624229	823766	823830 + 624229	823830
SOUTH AMERICA / USA 3ph, 190/380V-50Hz, 208-230/460V-60Hz	824060 + 624229	824060	Contact us	Contact us
ASIA / MIDDLE - EAST 3ph, 220/380V-50/60Hz	823835 + 624229	823835	823833 + 624229	823833

JAPAN Version : contact us

Special versions

	E200.R HV		E200.R	
	WITH GAS BALLAST	WITHOUT GAS BALLAST	WITH GAS BALLAST	WITHOUT GAS BALLAST
CONDENSABLE VAPOUR PUMPING (small propeller) 3ph, 230/400V-50Hz	823864 + 624229	823864	823837 + 624229	823837
OXYGEN with Fomblin oil 3ph, 230/400V-50Hz	823873 + 624229	823873	823872 + 624229	823872
EVISA H₂O 3ph, 230/400V-50Hz	Contact us	Contact us	823845 + 624229	823845

For booster direct mounting : contact us

Maintenance kits

3 000 hour usual maintenance with silicone o'ring for oil mist filter	724054
3 000 hour usual maintenance with viton o'ring for oil mist filter	724055
12 000 hour preventive maintenance	724052
Gasket set	624230
3 000 hour usual maintenance for OXYGEN version	724089
12 000 hour preventive maintenance for OXYGEN version	724087



3 000 hour usual maintenance



12 000 hour preventive maintenance

Specifications are subject to be changed without notice.



Accessories and Options

1 Oil Level Safety (OLS) with float		624245
Timer box for oil level safety (base mounting)		670810
NC bimetal temperature safety - opening at 120°C + SNH - Max 24V		624246
Oil Level Safety and PT100 temperature sensor		624247
PT100 temperature sensor		624248
2 2" BSP suction filter Type 201	Paper cartridge	715350
	Polyester cartridge	715351
	Carbon cartridge	715352
Vacuum gauge fitted on filter		617536
2" BSP paper/paper double filtration 201PA + 201PA		670615
2" BSP polyester/carbon double filtration 201PO + 201CH		670618
3 Liquid trap 200 340 m ³ .h ⁻¹ 2" BSP	Aluminium head / polycarbonate cylinder / without float	724801
	Aluminium head / polycarbonate cylinder / with float	724802
	Stainless steel head/ Pyrex cylinder / without float	724803
	Stainless steel head / Pyrex cylinder / with float	724804
	Pyrex bottle 250 ml under trap assembly	615441
	Pyrex bottle 500 ml under trap assembly	615442
	Pyrex bottle 1000 ml under trap assembly	615443
	Bracket for wall fixing	619907
Electro-pneumatic automatic drain with control board		816002
Electrical automatic drain with control board		816003
Adjusting valve fitted on T-square		713842
Vacuum hose (0,6 m) FF 2" BSP		618149
Vacuum hose (1 m) FF 2" BSP		606099
Vacuum hose (1,5 m) FF 2" BSP		607592
Suction hose with non-return valve (1 m)		770154
Exhaust double elbow mounting		622788
Base frame assembly height 150 mm		670806
4 Elevated base frame (H=525 mm)	For 1 pump	617612
	For 2 pumps	619545
Direct starter (wall mounting)	Without regulation contact 3-ph 400V	770499
	Without regulation contact 3-ph 230V	770500
	With regulation contact LG7 3-ph 400V	710426
	With regulation contact LG7 3-ph 230V	710434
Control board with FLEXO solenoid valve 3-ph, 400V + N for warm up and degasing cycle		770815
Control board with FLEXO solenoid valve 3-ph, 400V + N for degasing cycle		770822
Aluminium adapter M2" / DN50 KF		117132
Aluminium clamping collar DN50 KF		361640
Centering ring stainless steel / VITON		361643
Stainless steel hose (0,5 m) DN50 KF		361648
Stainless steel hose (1 m) DN50 KF		361649



1 Oil Level Safety



2 suction filter
type 201



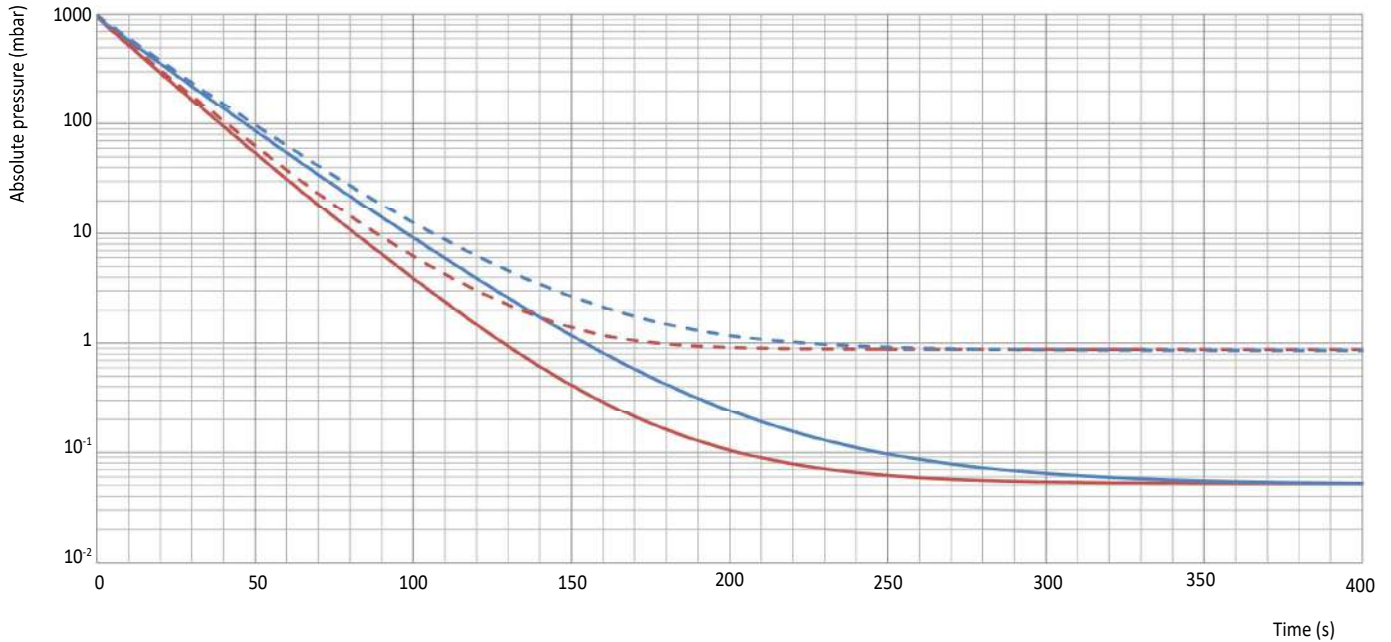
3 Liquid trap 200
with mechanical
stop and
optional bottle



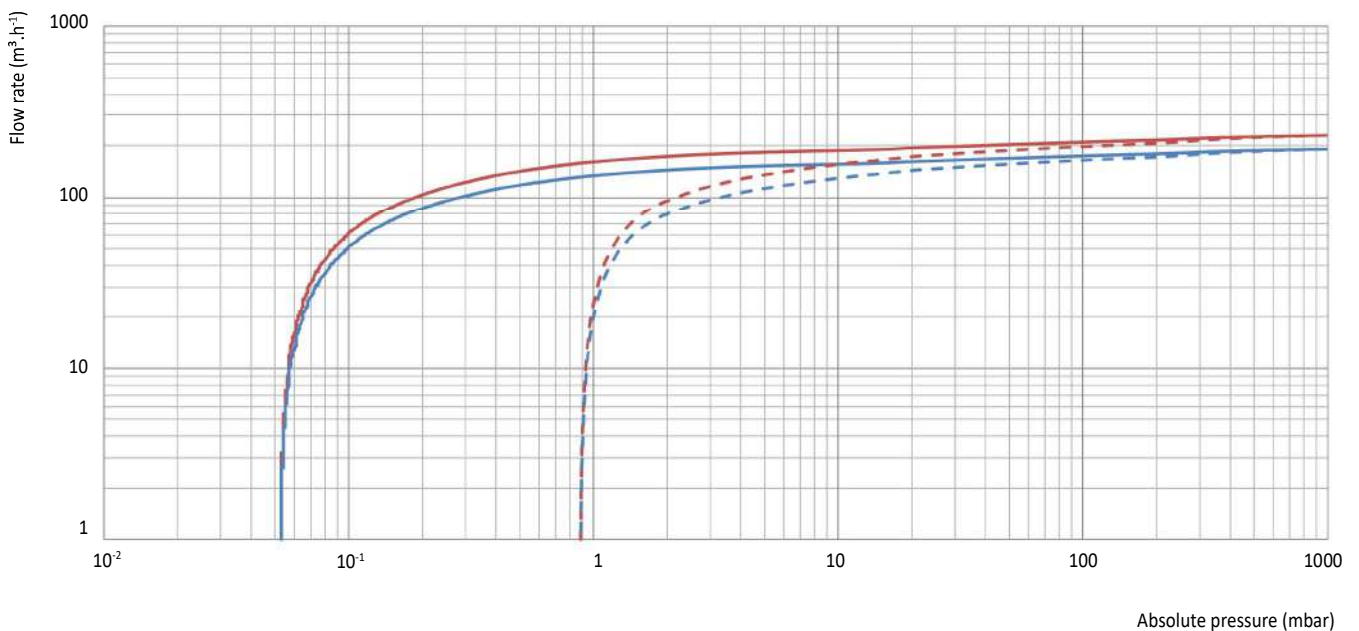
4 Elevated base frame
for 2 pumps

Lubricated rotary vane vacuum pumps

Pumping speed on 1000 l vessel



Performance curves



— 60 Hz - without gas ballast
— 50 Hz - without gas ballast

- - 60 Hz - with opened gas ballast
- - 50 Hz - with opened gas ballast



EVISA E300.R



The lubricated rotary vane pumps EVISA are designed to be used in a wide range of industrial and healthcare applications.

They can run continuously from atmospheric pressure to ultimate vacuum.

They are silent and extremely robust.

- Single stage vacuum pump
- Continuous operation from atmospheric pressure to end vacuum : $6 \cdot 10^{-2}$ mbar
- High pumping speed even at low pressure
- Integrated oil mist filter on the exhaust
- IE3 motor

Technical characteristics

		50 Hz	60 Hz	
E300.R HV	Nominal flow rate $m^3 \cdot h^{-1} - cfm$	300 - 176,5	360 - 211,8	
	PNEUROP pumping speed ⁽¹⁾ $m^3 \cdot h^{-1} - cfm$	280 - 165	336 - 198	
	Pumping speed at 1 mbar inlet pressure ⁽¹⁾ $m^3 \cdot h^{-1} - cfm$	171 - 101	205 - 121	
	Without gas ballast End vacuum mbar - torr	$\leq 6 \cdot 10^{-2} - 4,5 \cdot 10^{-2}$	$\leq 6 \cdot 10^{-2} - 4,5 \cdot 10^{-2}$	
	Fully opened gas ballast			
	End vacuum mbar - torr	$\leq 2 - 1,5$	$\leq 2 - 1,5$	
	Water vapor permitted maximum pressure mbar - torr	18,6 - 13,9	20 - 15	
	Water vapor capacity $kg \cdot h^{-1}$	2,3	3	
E300.R	Without gas ballast End vacuum mbar - torr	$\leq 3 - 2,3$	$\leq 3 - 2,3$	
	Fully opened gas ballast			
		End vacuum mbar - torr	$\leq 5 - 3,8$	$\leq 5 - 3,8$
		Water vapor permitted maximum pressure mbar - torr	13 - 9,7	14 - 10,5
	Water vapor capacity $kg \cdot h^{-1}$	1,6	2	
100 % synthetic oil		MV99S	MV99S	
Oil capacity l - qt		5 - 5,3	5 - 5,3	
Noise level dB(A)		72	76	

⁽¹⁾ Measurements according to PNEUROP 6602 specifications - 20°C

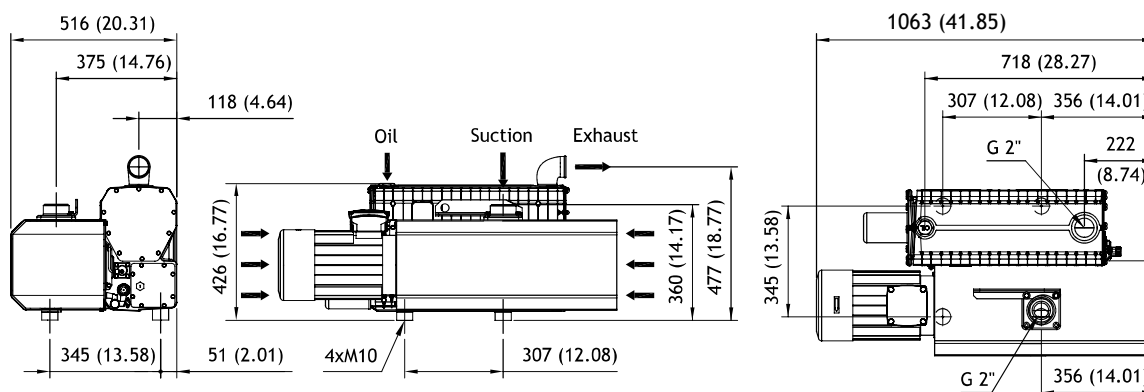
Versions

GEOGRAPHIC ZONE	EUROPE	ASIA MIDDLE-EAST	SOUTH AMERICA	USA	JAPAN	
Electrical motor	Number of phases	3	3	3	3	
	Voltage V	230 / 400	220 / 380	190 / 380	208-230 / 460	220 / 380
	Period Hz	50	60	50	60	50 / 60
	Motor power	5,5 kW	6,6 kW	5,5 kW	10 HP	5,5 / 6,6 kW
	Rotation speed min^{-1}	1500	1800	1500	1800	1500 / 1800
Inlet connection ⁽²⁾	2" BSP	2" BSP	2" NPT	2" NPT	2" BSP	
Outlet connection ⁽²⁾	2" BSP	2" BSP	2" NPT	2" NPT	2" BSP	
Weight with oil $kg - lb$	172 - 380	182 - 402	198 - 437	198 - 437	179 - 395	

⁽²⁾ DN 50 ISO-KF connector can be supplied, see accessories

Lubricated rotary vane vacuum pumps

Dimensions mm (inch)



References

	E300.R HV		E300.R	
	WITH GAS BALLAST	WITHOUT GAS BALLAST	WITH GAS BALLAST	WITHOUT GAS BALLAST
EUROPE 3ph, 230/400V-50Hz	823767 + 624229	823767	823831 + 624229	823831
SOUTH AMERICA / USA 3ph, 190/380V-50Hz, 208-230/460V-60Hz	824061 + 624229	824061	Contact us	Contact us
ASIA / MIDDLE-EAST 3ph, 220/380V-60Hz	823836 + 624229	823836	823834 + 624229	823834

JAPAN version : contact us

Special versions

	E300.R HV		E300.R	
	WITH GAS BALLAST	WITHOUT GAS BALLAST	WITH GAS BALLAST	WITHOUT GAS BALLAST
CONDENSABLE VAPOUR PUMPING (small propeller) 3ph, 230/400V-50Hz	824287 + 624229	824287	823838 + 624229	823838
OXYGEN with Fomblin oil 3ph, 230/400V-50Hz	823875 + 624229	823875	823874 + 624229	823874
EVISA H₂O 3ph, 230/400V-50Hz	Contact us	Contact us	823846 + 624229	823846

For booster direct mounting : contact us

Maintenance kits

3 000 hour usual maintenance with silicone o'ring for oil mist filter	724079
3 000 hour usual maintenance with viton o'ring for oil mist filter	724080
12 000 hour preventive maintenance	724053
Gasket set	624231
3 000 hour usual maintenance for OXYGEN version	724090
12 000 hour preventive maintenance for OXYGEN version	724088



3 000 hour usual maintenance



12 000 hour preventive maintenance

Specifications are subject to be changed without notice.



Accessories and Options

1 Oil Level Safety (OLS) with float		624245
Timer box for oil level safety (base mounting)		670810
NC bimetal temperature safety - opening at 120°C + SNH - Max 24V		624246
Oil Level Safety and PT100 temperature sensor		624247
PT100 temperature sensor		624248
2 2" BSP suction filter Type 201	Paper cartridge	715350
	Polyester cartridge	715351
	Carbon cartridge	715352
Vacuum gauge fitted on filter		617536
2" BSP paper/paper double filtration 201PA + 201PA		670615
2" BSP polyester/carbon double filtration 201PO + 201CH		670618
3 Liquid trap 200 340 m ³ .h ⁻¹ 2" BSP	Aluminium head / polycarbonate cylinder / without float	724801
	Aluminium head / polycarbonate cylinder / with float	724802
	Stainless steel head/ Pyrex cylinder / without float	724803
	Stainless steel head / Pyrex cylinder / with float	724804
	Pyrex bottle 250 ml under trap assembly	615441
	Pyrex bottle 500 ml under trap assembly	615442
	Pyrex bottle 1000 ml under trap assembly	615443
Bracket for wall fixing	619907	
Electro-pneumatic automatic drain with control board		816002
Electrical automatic drain with control board		816003
Adjusting valve fitted on T-square		713842
Vacuum hose (0,6 m) FF 2" BSP		618149
Vacuum hose (1 m) FF 2" BSP		606099
Vacuum hose (1,5 m) FF 2" BSP		607592
Suction hose with non-return valve (1 m)		770154
Exhaust double elbow mounting		622788
Base frame assembly height 150 mm		670806
4 Elevated base frame (H=525 mm)	For 1 pump	617612
	For 2 pumps	619545
Direct starter (wall mounting)	Without regulation contact 3-ph 400V	770499
	Without regulation contact 3-ph 230V	770500
	With regulation contact LG7 3-ph 400V	710426
	With regulation contact LG7 3-ph 230V	710434
Control board with FLEXO solenoid valve 3-ph, 400 + N for warm up and degasing cycle		770815
Control board with FLEXO solenoid valve 3-ph, 400 + N for degasing cycle		770822
Aluminium adapter M2" / DN50 KF		117132
Aluminium clamping collar DN50 KF		361640
Centering ring stainless steel / VITON		361643
Stainless steel hose (0,5 m) DN50 KF		361648
Stainless steel hose (1 m) DN50 KF		361649



1 Oil Level Safety



2 suction filter
type 201



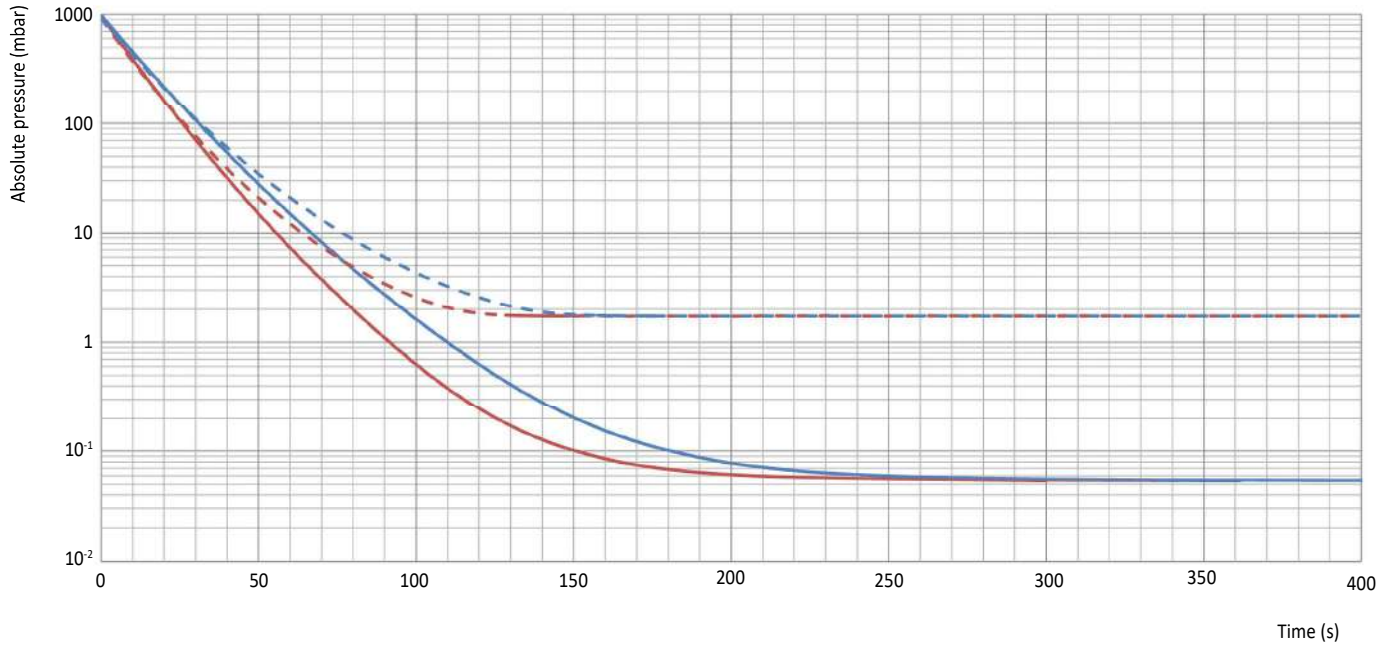
3 Liquid trap 200
with mechanical
stop and
optional bottle



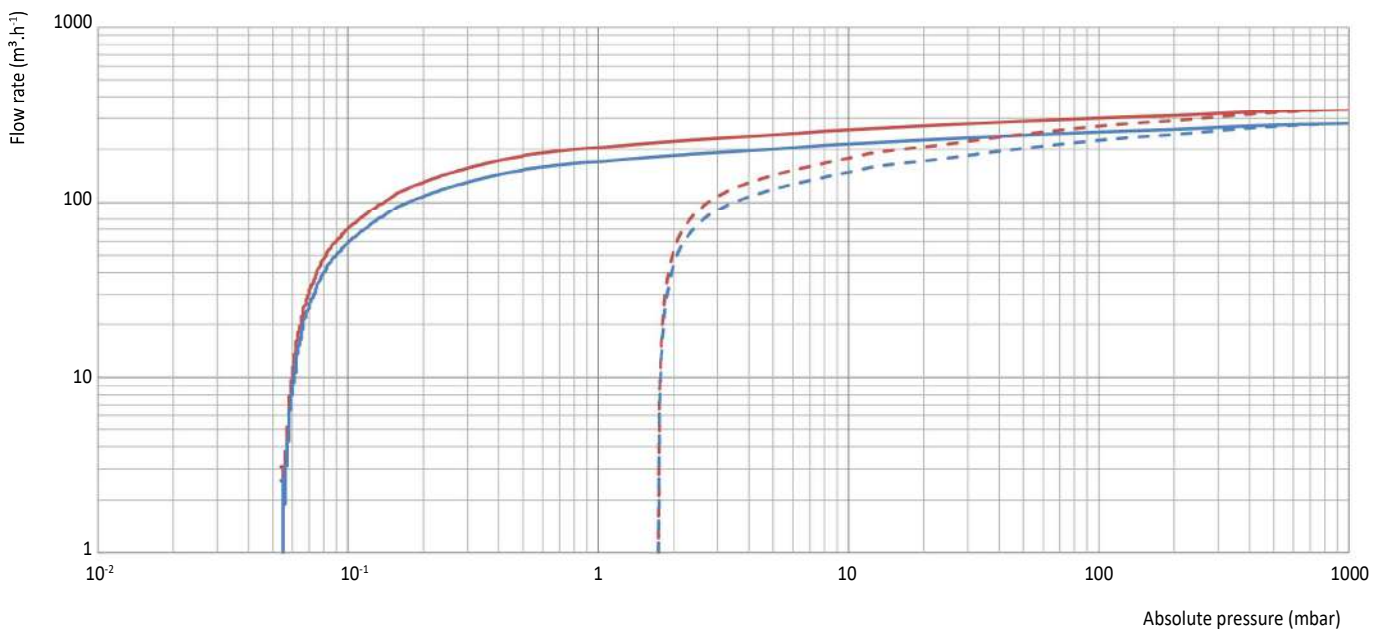
4 Elevated base frame
for 2 pumps

Lubricated rotary vane vacuum pumps

Pumping speed on 1000 l vessel



Performance curves



— 60 Hz - without gas ballast
— 50 Hz - without gas ballast

- - 60 Hz - with opened gas ballast
- - 50 Hz - with opened gas ballast



EVISA E350.R



The lubricated rotary vane pumps EVISA are designed to be used in a wide range of industrial and healthcare applications.

They can run continuously from atmospheric pressure to ultimate vacuum.

They are silent and extremely robust.

- Single stage vacuum pump
- Continuous operation from atmospheric pressure to end vacuum : 1.10^{-1} mbar
- High pumping speed even at low pressure
- Integrated oil mist filter on the exhaust
- IE3 motor

Technical characteristics

		50 Hz	60 Hz	
E350.R HV	Nominal flow rate $m^3.h^{-1} - cfm$	360 - 211,9	432 - 254,3	
	PNEUROP pumping speed ⁽¹⁾ $m^3.h^{-1} - cfm$	341 - 200,7	409 - 240,7	
	Pumping speed at 1 mbar inlet pressure ⁽¹⁾ $m^3.h^{-1} - cfm$	179 - 105,3	215 - 126,5	
	Without gas ballast End vacuum mbar - torr	$\leq 1.10^{-1} - 8.10^{-2}$	$\leq 1.10^{-1} - 8.10^{-2}$	
	Fully opened gas ballast	End vacuum mbar - torr	$\leq 1 - 0,75$	$\leq 1 - 0,75$
		Water vapor permitted maximum pressure mbar - torr	12,5 - 9,9	13,5 - 10,1
Water vapor capacity $kg.h^{-1}$		2	2,6	
E350.R	Without gas ballast End vacuum mbar - torr	$\leq 3 - 2,3$	$\leq 3 - 2,3$	
	Fully opened gas ballast	End vacuum mbar - torr	$\leq 5 - 3,8$	$\leq 5 - 3,8$
		Water vapor permitted maximum pressure mbar - torr	8,7 - 6,5	9,4 - 7
		Water vapor capacity $kg.h^{-1}$	1,4	1,8
100 % synthetic oil	MV99S	MV99S		
Oil capacity l - qt	14 - 14,8	14 - 14,8		
Noise level dB(A)	72	76		

⁽¹⁾ Measurements according to PNEUROP 6602 specifications - 20°C

⁽²⁾ 460V - 60 Hz 3-ph only

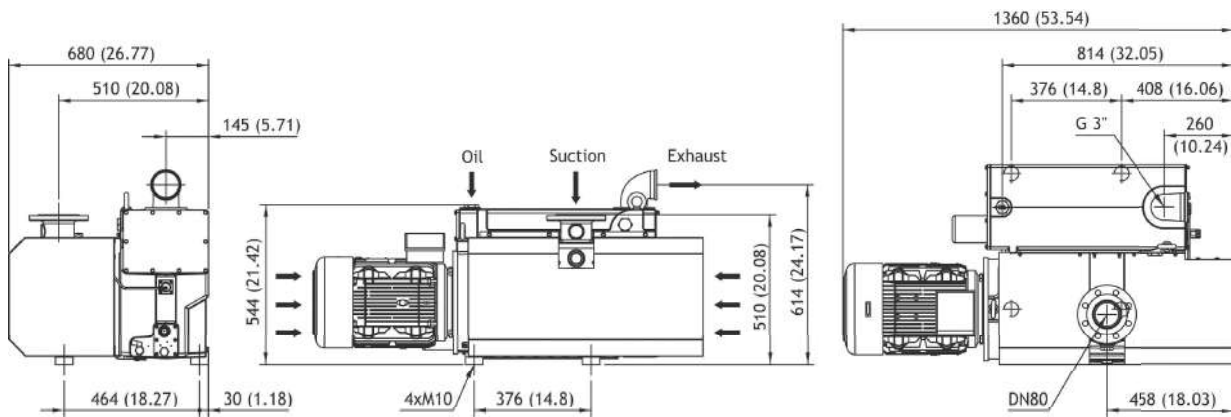
Versions

GEOGRAPHIC ZONE	EUROPE	ASIA MIDDLE-EAST
Electrical motor	Number of phases	3
	Voltage V	400 / 690
	Period Hz	50
	Motor power	7,5 kW
	Rotation speed min^{-1}	1000
Inlet connection ⁽²⁾	DN80 / 3" BSP	DN80 / 3" BSP
Outlet connection ⁽²⁾	3" BSP	3" BSP
Weight with oil $kg - lb$	363 - 801	788 - 834

⁽²⁾ DN 80 ISO-K connector can be supplied, see accessories

Lubricated rotary vane vacuum pumps

Dimensions mm (inch)



References

	E350.R HV		E350.R	
	WITH GAS BALLAST	WITHOUT GAS BALLAST	WITH GAS BALLAST	WITHOUT GAS BALLAST
EUROPE 3ph, 400/690V-50Hz	823923 + 724214	823923	823922 + 724214	823922
ASIA / MIDDLE-EAST 3ph, 380V-60Hz	contact us	contact us	contact us	contact us

EVISA H₂O version : contact us

Maintenance kits

3 000 hour usual maintenance with viton o'rings for oil mist filters	724184
12 000 hour preventive maintenance	724200
Gasket set	624486



3 000 hour usual maintenance



12 000 hour preventive maintenance



Accessories and Options

1	Oil Level Safety (OLS) with float	624398	
	Additional filter for gas ballast	617710	
	Timer box for oil level safety (base mounting)	670810	
	NC bimetal temperature safety - opening at 120°C - Max 24V	624389	
	Oil Level Safety and PT100 temperature sensor	624405	
	PT100 temperature sensor	624388	
2	3" BSP suction filter	Paper cartridge	717369
	Type 301	Polyester cartridge	717370
		Carbon cartridge	717371
	Vacuum gauge fitted on filter		617536
	Vacuum-tight suction filter	Paper cartridge	361627
	ST301 straight-through	Polyester cartridge	620166
	Deflector for filters CT 301 and ST 301		215696
	Bracket for mural fixing for filters CT, ST & Liquid trap		617512
	Flanges DN 80 for filters CT, ST & Liquid trap		617513
		Aluminium head/ polycarbonate cylinder / without float	724809
		Aluminium head / polycarbonate cylinder / with float	724810
3	Liquid trap 300	Pyrex bottle 250 ml under trap assembly	615441
	696 m ³ .h ⁻¹	Pyrex bottle 500 ml under trap assembly	615442
	3" BSP	Pyrex bottle 1000 ml under trap assembly	615443
	Electro-pneumatic automatic drain with control board		816002
	Electrical automatic drain with control board		816003
	Vacuum hose (0,6 m) DN80		618269
	Vacuum hose (1 m) DN80		617833
	Vacuum hose (1,5 m) MM 3" BSP		719925
	Vacuum hose (4 m) M 3" BSP - DN80		618573
	Base frame assembly height 200 mm		618251
4	Elevated base frame	For 1 pump	617613
	Direct starter	Without regulation contact 3-ph 400V	770500
	(wall mounting)	With regulation contact LG7 3-ph 400V	713746
	Star / Delta starter 400V + N + E (without pressure valve)		718389
	- Electrical unloading valve (230V-50Hz)		617496
	- Pneumatic unloading valve (6 bar)		618257
	Exhaust double elbow mounting		623534
	Double acting electric butterfly cast iron valve DN80 with electric actuator 5/2 NF 230V-50Hz		617522
	Double acting pneumatic butterfly cast iron valve DN80 with electric actuator 5/2 NF 230V-50Hz		617523
	Aluminium adapter M3" / DN80 ISO K		117130
	Aluminium adapter DN80 ISO K		117129
	Aluminium clamping collar DN63/250 ISO K		4 X 361653
	Centering ring Aluminium / PERBUNAN		361650
	Stainless steel hose (0,5 m) DN80 ISO K		361651
	Stainless steel hose (1 m) DN80 ISO K		361652



1 Oil Level Safety



2 suction filter type 301



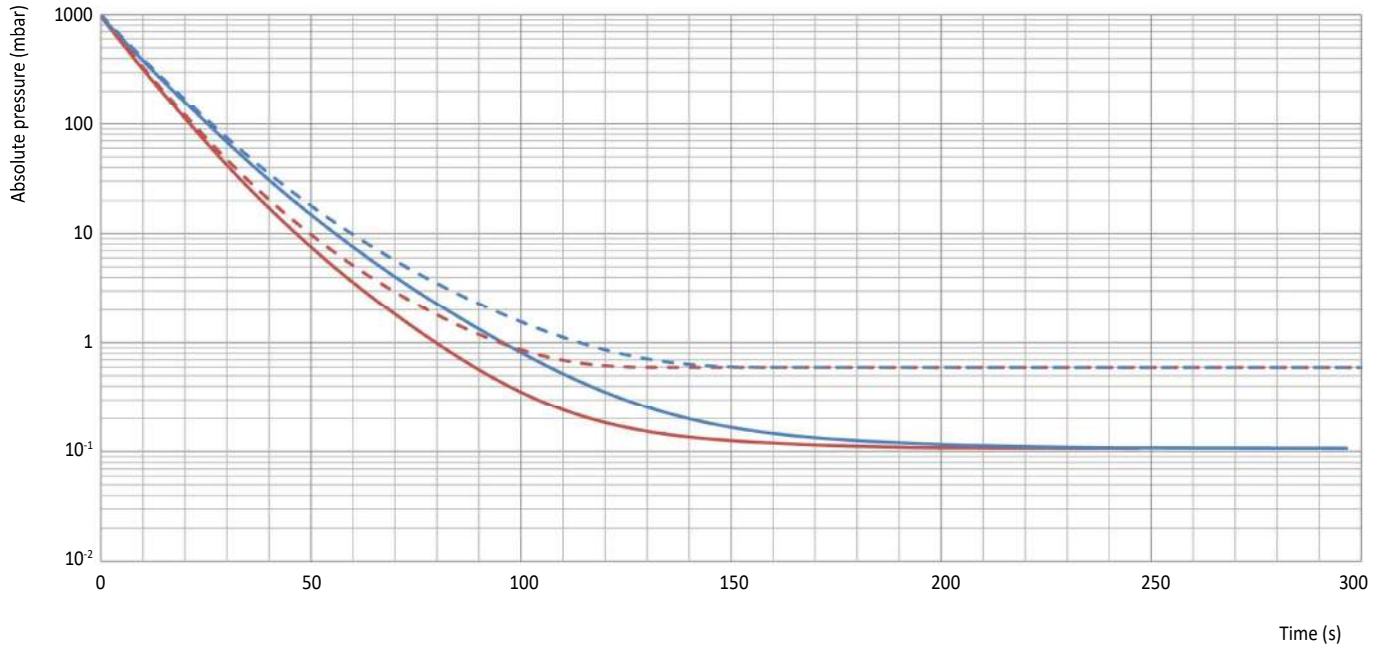
3 Liquid trap 300 with mechanical stop and optional bottle



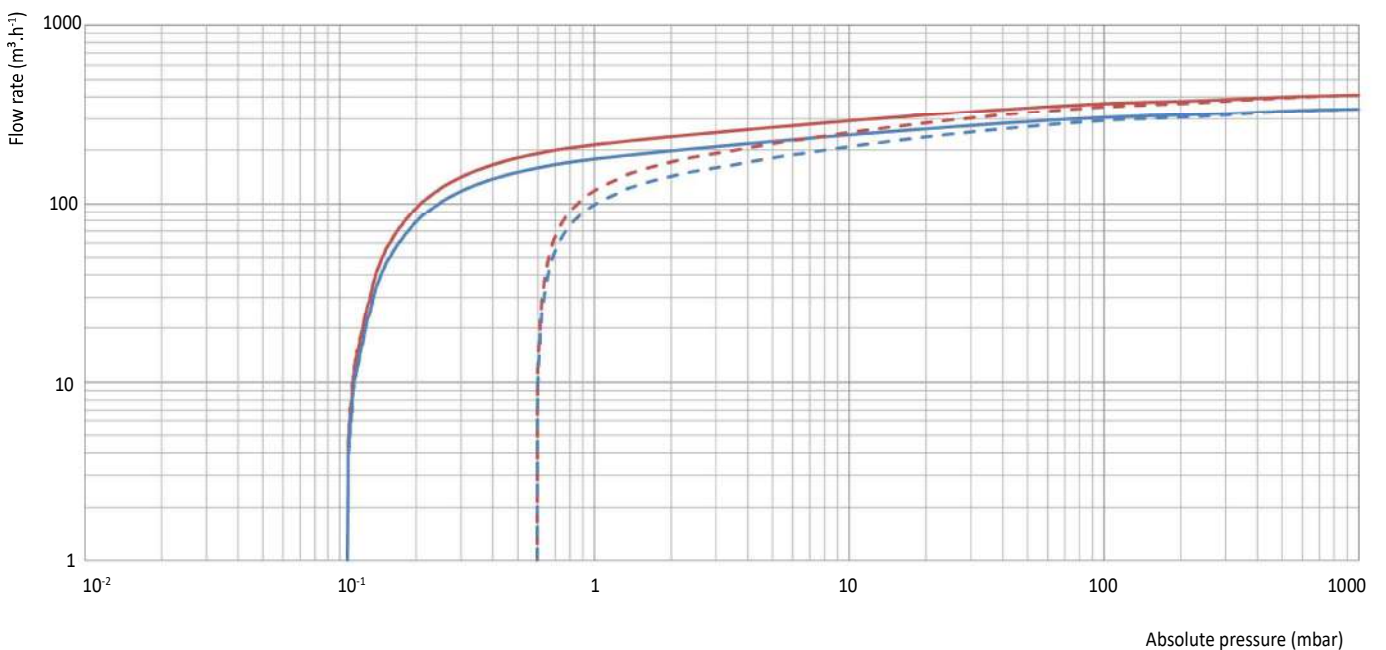
4 Elevated base frame for 1 pump

Lubricated rotary vane vacuum pumps

Pumping speed on 1000 l vessel



Performance curves



60 Hz - without gas ballast
50 Hz - without gas ballast

60 Hz - with opened gas ballast
50 Hz - with opened gas ballast



EVISA E400.R



The lubricated rotary vane pumps EVISA are designed to be used in a wide range of industrial and healthcare applications.

They can run continuously from atmospheric pressure to ultimate vacuum.

They are silent and extremely robust.

- Single stage vacuum pump
- Continuous operation from atmospheric pressure to end vacuum : 1.10^{-1} mbar
- High pumping speed even at low pressure
- Integrated oil mist filter on the exhaust
- IE3 motor

Technical characteristics

		50 Hz	60 Hz
E400.R HV	Nominal flow rate $m^3.h^{-1} - cfm$	426 - 250,7	511 - 300,8
	PNEUROP pumping speed ⁽¹⁾ $m^3.h^{-1} - cfm$	410 - 241,3	492 - 289,6
	Pumping speed at 1 mbar inlet pressure ⁽¹⁾ $m^3.h^{-1} - cfm$	215 - 126,5	258 - 151,8
	Without gas ballast End vacuum mbar - torr	$\leq 1.10^{-1} - 8.10^{-2}$	$\leq 1.10^{-1} - 8.10^{-2}$
Fully opened gas ballast	End vacuum mbar - torr	$\leq 1 - 0,75$	$\leq 1 - 0,75$
	Water vapor permitted maximum pressure mbar - torr	11,9 - 8,9	12,9 - 9,6
	Water vapor capacity $kg.h^{-1}$	2,3	3
E400.R	Without gas ballast End vacuum mbar - torr	$\leq 3 - 2,3$	$\leq 3 - 2,3$
	End vacuum mbar - torr	$\leq 5 - 3,8$	$\leq 5 - 3,8$
	Water vapor permitted maximum pressure mbar - torr	8,3 - 6,2	9 - 6,7
	Water vapor capacity $kg.h^{-1}$	1.6	2
	100 % synthetic oil	MV99S	MV99S
	Oil capacity l - qt	14 - 14,8	14 - 14,8
	Noise level dB(A)	72	76

⁽¹⁾ Measurements according to PNEUROP 6602 specifications - 20°C

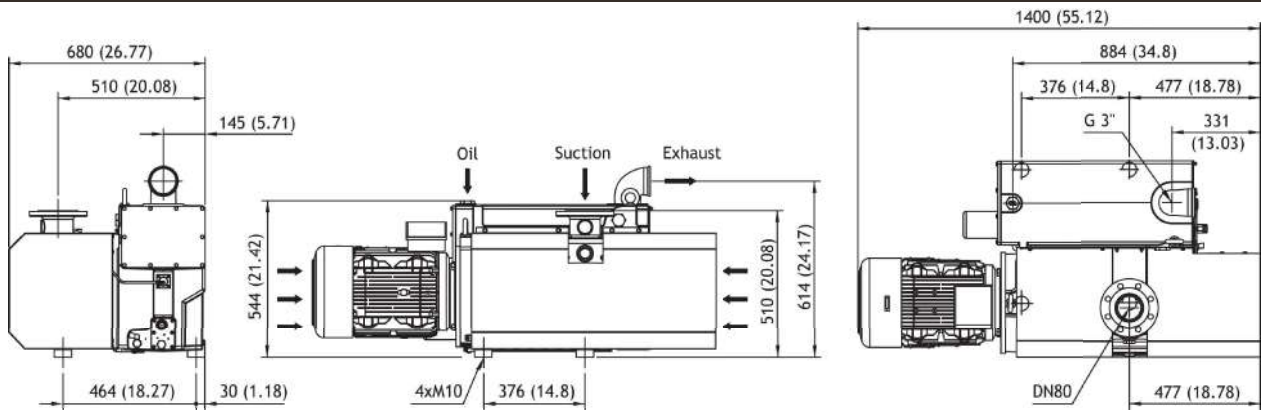
Versions

GEOGRAPHIC ZONE	EUROPE	ASIA MIDDLE-EAST
Electrical motor	Number of phases	3
	Voltage V	400 / 690
	Period Hz	50
	Motor power	9 kW
	Rotation speed min^{-1}	1000
Inlet connection ⁽²⁾	DN80 / 3" BSP	DN80 / 3" BSP
Outlet connection ⁽²⁾	3" BSP	3" BSP
Weight with oil $kg - lb$	408 - 900	433 - 955

⁽²⁾ DN 80 ISO-K connector can be supplied, see accessories

Lubricated rotary vane vacuum pumps

Dimensions mm (inch)



References

	E400.R HV		E400.R	
	WITH GAS BALLAST	WITHOUT GAS BALLAST	WITH GAS BALLAST	WITHOUT GAS BALLAST
EUROPE 3ph, 400/690V-50Hz	823919 + 724214	823919	823918 + 724214	823918
ASIA / MIDDLE-EAST 3ph, 380V-60Hz	Contact us	Contact us	Contact us	Contact us

EVISA H₂O version : contact us

Maintenance kits

3 000 hour usual maintenance with viton o'rings for oil mist filters	724184
12 000 hour preventive maintenance	724195
Gasket set	624479



3 000 hour usual maintenance



12 000 hour preventive maintenance



Accessories and Options

1 Oil Level Safety (OLS) with float		624398
Additional filter for gas ballast		617710
Timer box for oil level safety (base mounting)		670810
NC bimetal temperature safety - opening at 120°C - Max 24V		624389
Oil Level Safety and PT100 temperature sensor		624405
PT100 temperature sensor		624388
2 3" BSP suction filter Type 301	Paper cartridge	717369
	Polyester cartridge	717370
	Carbon cartridge	717371
Vacuum gauge fitted on filter		617536
Vacuum-tight suction filter	Paper cartridge	361627
ST301 straight-through	Polyester cartridge	620166
Deflector for filters CT 301 and ST 301		215696
Bracket for mural fixing for filters CT, ST & Liquid trap		617512
Flanges DN 80 for filters CT, ST & Liquid trap		617513
3 Liquid trap 300 696 m ³ .h ⁻¹ 3" BSP	Aluminium head/ polycarbonate cylinder / without float	724809
	Aluminium head / polycarbonate cylinder / with float	724810
	Pyrex bottle 250 ml under trap assembly	615441
	Pyrex bottle 500 ml under trap assembly	615442
	Pyrex bottle 1000 ml under trap assembly	615443
Electro-pneumatic automatic drain with control board		816002
Electrical automatic drain with control board		816003
Vacuum hose (0,6 m) DN80		618269
Vacuum hose (1 m) DN80		617833
Vacuum hose (1,5 m) MM 3" BSP		719925
Vacuum hose (4 m) M 3" BSP - DN80		618573
Base frame assembly height 200 mm		618251
4 Elevated base frame (H=525 mm)	For 1 pump	617613
Direct starter (wall mounting)	Without regulation contact 3-ph 400V	770500
	With regulation contact LG7 3-ph 400V	713746
Star / Delta starter 400V + N + E (without pressure valve)		718389
- Electrical unloading valve (230V-50Hz)		617496
- Pneumatic unloading valve (6 bar)		618257
Exhaust double elbow mounting		623534
Double acting electric butterfly cast iron valve DN80 with electric actuator 5/2 NF 230V-50Hz		617522
Double acting pneumatic butterfly cast iron valve DN80 with electric actuator 5/2 NF 230V-50Hz		617523
Aluminium adapter M3" / DN80 ISO K		117130
Aluminium adapter DN80 ISO K		117129
Aluminium clamping collar DN63/250 ISO K		4 X 361653
Centering ring Aluminium / PERBUNAN		361650
Stainless steel hose (0,5 m) DN80 ISO K		361651
Stainless steel hose (1 m) DN80 ISO K		361652



1 Oil Level Safety



2 suction filter
type 301



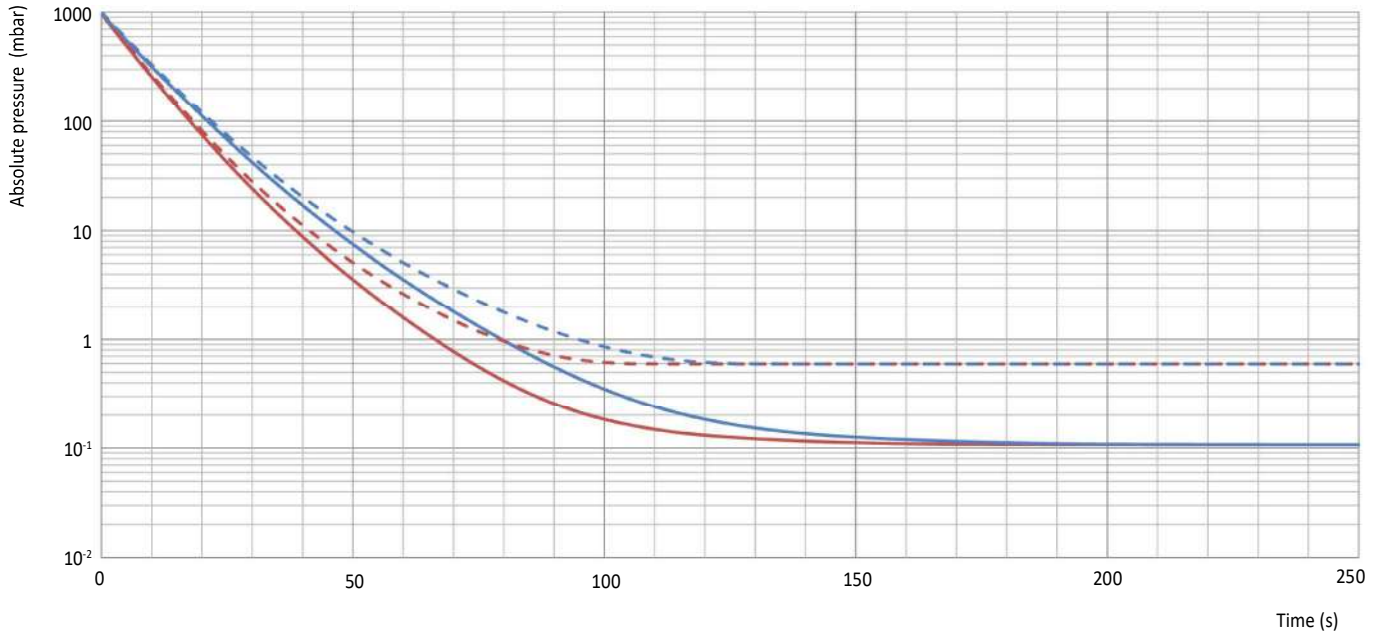
3 Liquid trap 300
with mechanical
stop and
optional bottle



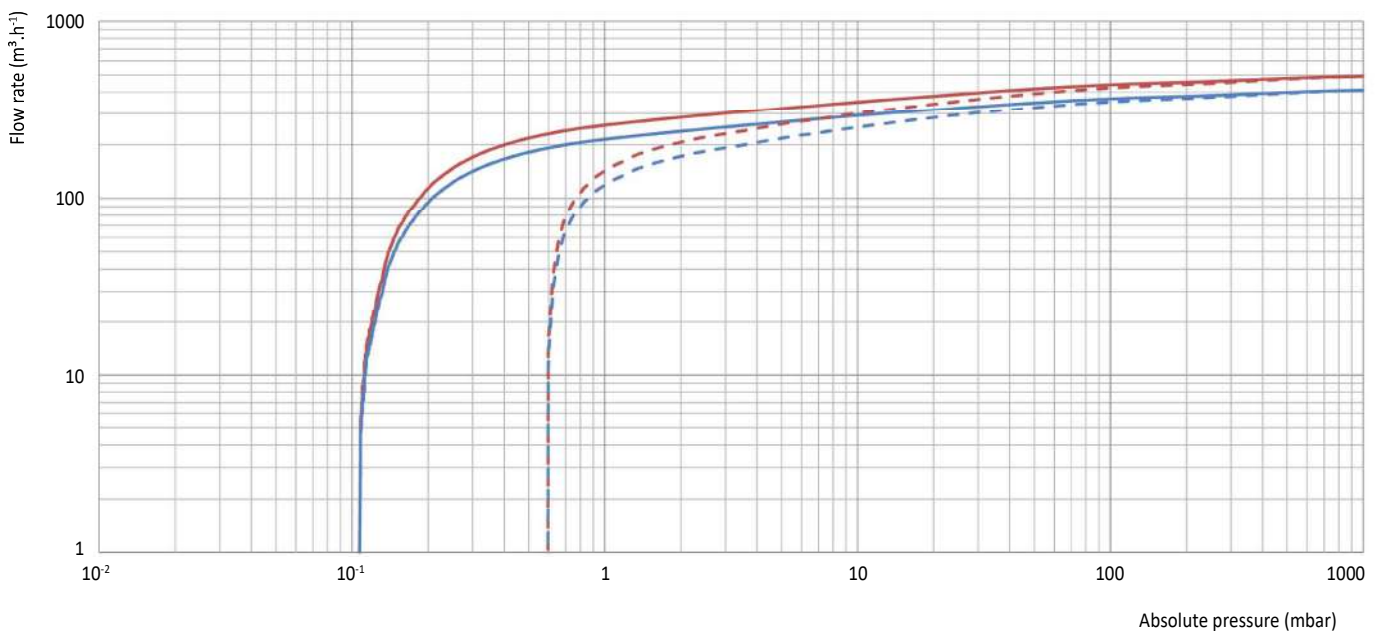
4 Elevated base frame
for 1 pump

Lubricated rotary vane vacuum pumps

Pumping speed on 1000 l vessel



Performance curves



— 60 Hz - without gas ballast
— 50 Hz - without gas ballast

- - 60 Hz - with opened gas ballast
- - 50 Hz - with opened gas ballast



EVISA E500.R



The lubricated rotary vane pumps EVISA are designed to be used in a wide range of industrial and healthcare applications.

They can run continuously from atmospheric pressure to ultimate vacuum.

They are silent and extremely robust.

- Single stage vacuum pump
- Continuous operation from atmospheric pressure to end vacuum : $1 \cdot 10^{-1}$ mbar
- High pumping speed even at low pressure
- Integrated oil mist filter on the exhaust
- IE3 motor

Technical characteristics

		50 Hz	60 Hz	
E500.R HV	Nominal flow rate $m^3 \cdot h^{-1} - cfm$	513 - 302	616 - 362,6	
	PNEUROP pumping speed ⁽¹⁾ $m^3 \cdot h^{-1} - cfm$	496 - 291,6	595 - 350,2	
	Pumping speed at 1 mbar inlet pressure ⁽¹⁾ $m^3 \cdot h^{-1} - cfm$	266 - 156,6	320 - 188,3	
	Without gas ballast End vacuum mbar - torr	$\leq 1 \cdot 10^{-1} - 8 \cdot 10^{-2}$	$\leq 1 \cdot 10^{-1} - 8 \cdot 10^{-2}$	
	Fully opened gas ballast			
	End vacuum mbar - torr	$\leq 1 - 0,75$	$\leq 1 - 0,75$	
	Water vapor permitted maximum pressure mbar - torr	11,3 - 8,4	12,2 - 9,1	
	Water vapor capacity $kg \cdot h^{-1}$	2,7	3,5	
E500.R	Without gas ballast End vacuum mbar - torr	$\leq 3 - 2,3$	$\leq 3 - 2,3$	
	Fully opened gas ballast			
		End vacuum mbar - torr	$\leq 5 - 3,8$	$\leq 5 - 3,8$
		Water vapor permitted maximum pressure mbar - torr	7,9 - 5,9	8,5 - 6,4
	Water vapor capacity $kg \cdot h^{-1}$	1,9	2,4	
	100 % synthetic oil	MV99S	MV99S	
	Oil capacity l - qt	14 - 14,8	14 - 14,8	
	Noise level dB(A)	73	77	

⁽¹⁾ Measurements according to PNEUROP 6602 specifications - 20°C

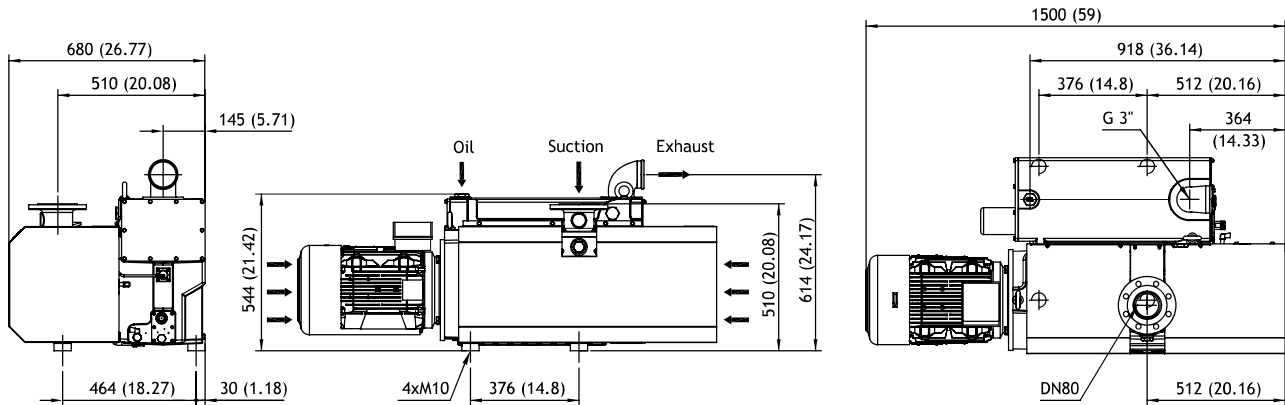
Versions

GEOGRAPHIC ZONE	EUROPE	ASIA MIDDLE-EAST
Electrical motor	Number of phases	3
	Voltage V	400 / 690
	Period Hz	50
	Motor power	11 kW
	Rotation speed min^{-1}	1000
Inlet connection ⁽²⁾	DN80 / 3" BSP	DN80 / 3" BSP
Outlet connection ⁽²⁾	3" BSP	3" BSP
Weight with oil $kg - lb$	462 - 1019	497 - 1096

⁽²⁾ DN 80 ISO-K connector can be supplied, see accessories

Lubricated rotary vane vacuum pumps

Dimensions mm (inch)



References

	E500.R HV		E500.R	
	WITH GAS BALLAST	WITHOUT GAS BALLAST	WITH GAS BALLAST	WITHOUT GAS BALLAST
EUROPE 3ph, 400/690V-50Hz	823913 + 723973	823913	823912 + 723973	823912
ASIA / MIDDLE-EAST 3ph, 380V-60Hz	Contact us	Contact us	Contact us	Contact us

EVISA H₂O version : contact us

Maintenance kits

3 000 hour usual maintenance with viton o'rings for oil mist filters	724184
12 000 hour preventive maintenance	724191
Gasket set	624479



3 000 hour usual maintenance



12 000 hour preventive maintenance



Accessories and Options

1	Oil Level Safety (OLS) with float		624398
	Additional filter for gas ballast		617710
	Timer box for oil level safety (base mounting)		670810
	NC bimetal temperature safety - opening at 120°C - Max 24V		624389
	Oil Level Safety and PT100 temperature sensor		624405
	PT100 temperature sensor		624388
2	3" BSP suction filter	Paper cartridge	717369
	Type 301	Polyester cartridge	717370
		Carbon cartridge	717371
	Vacuum gauge fitted on filter		617536
	Vacuum-tight suction filter	Paper cartridge	361627
	ST301 straight-through	Polyester cartridge	620166
	Deflector for filters CT 301 and ST 301		215696
	Bracket for mural fixing for filters CT, ST & Liquid trap		617512
	Flanges DN 80 for filters CT, ST & Liquid trap		617513
		Aluminium head/ polycarbonate cylinder / without float	724809
		Aluminium head / polycarbonate cylinder / with float	724810
3	Liquid trap 300	Pyrex bottle 250 ml under trap assembly	615441
	696 m ³ .h ⁻¹	Pyrex bottle 500 ml under trap assembly	615442
	3" BSP	Pyrex bottle 1000 ml under trap assembly	615443
	Electro-pneumatic automatic drain with control board		816002
	Electrical automatic drain with control board		816003
	Vacuum hose (0,6 m) DN80		618269
	Vacuum hose (1 m) DN80		617833
	Vacuum hose (1,5 m) MM 3" BSP		719925
	Vacuum hose (4 m) M 3" BSP - DN80		618573
	Base frame assembly height 200 mm		624328
4	Elevated base frame	For 1 pump	624329
	(H=525 mm)		
	Direct starter	Without regulation contact 3-ph 400V	719238
	(wall mounting)	With regulation contact LG7 3-ph 400V	719239
	Star / Delta starter 400V + N + E (without pressure valve)		718391
	- Electrical unloading valve (230V-50Hz)		617496
	- Pneumatic unloading valve (6 bar)		618257
	Exhaust double elbow mounting		623534
	Double acting electric butterfly cast iron valve DN80 with electric actuator 5/2 NF 230V-50Hz		617522
	Double acting pneumatic butterfly cast iron valve DN80 with electric actuator 5/2 NF 230V-50Hz		617523
	Aluminium adapter M3" / DN80 ISO K		117130
	Aluminium adapter DN80 ISO K		117129
	Aluminium clamping collar DN63/250 ISO K		4 X 361653
	Centering ring Aluminium / PERBUNAN		361650
	Stainless steel hose (0,5 m) DN80 ISO K		361651
	Stainless steel hose (1 m) DN80 ISO K		361652



1 Oil Level Safety



2 suction filter type 301



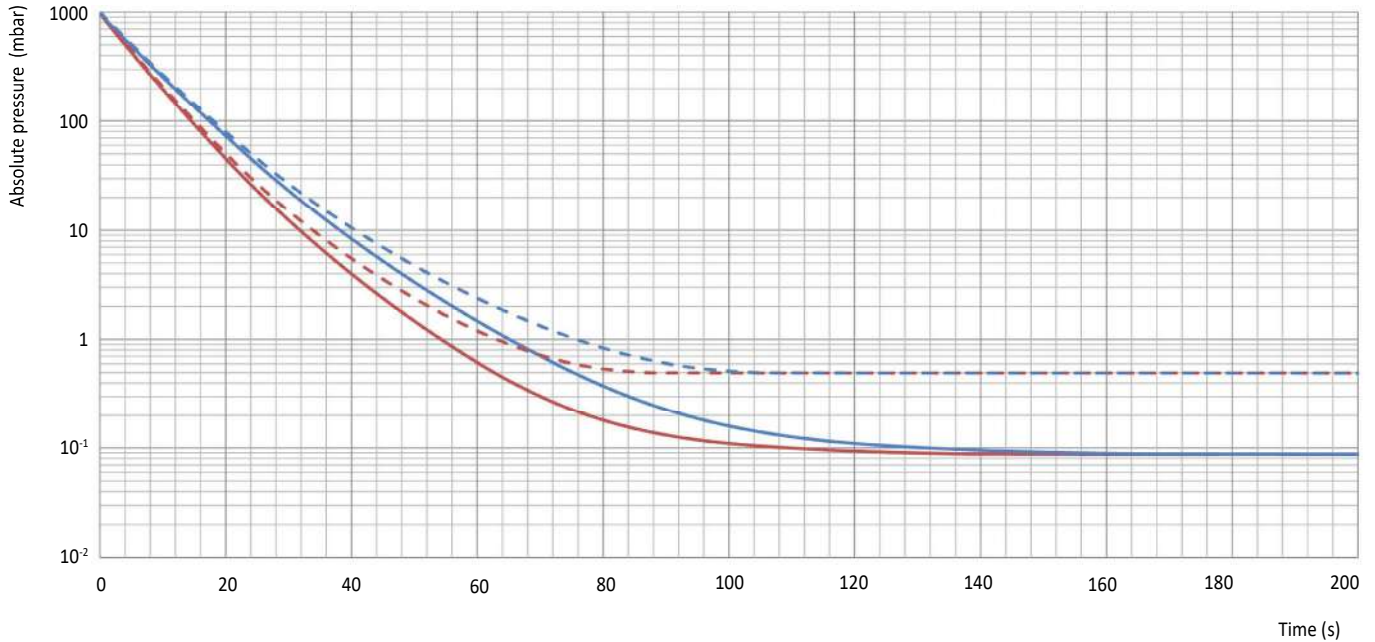
3 Liquid trap 300 with mechanical stop and optional bottle



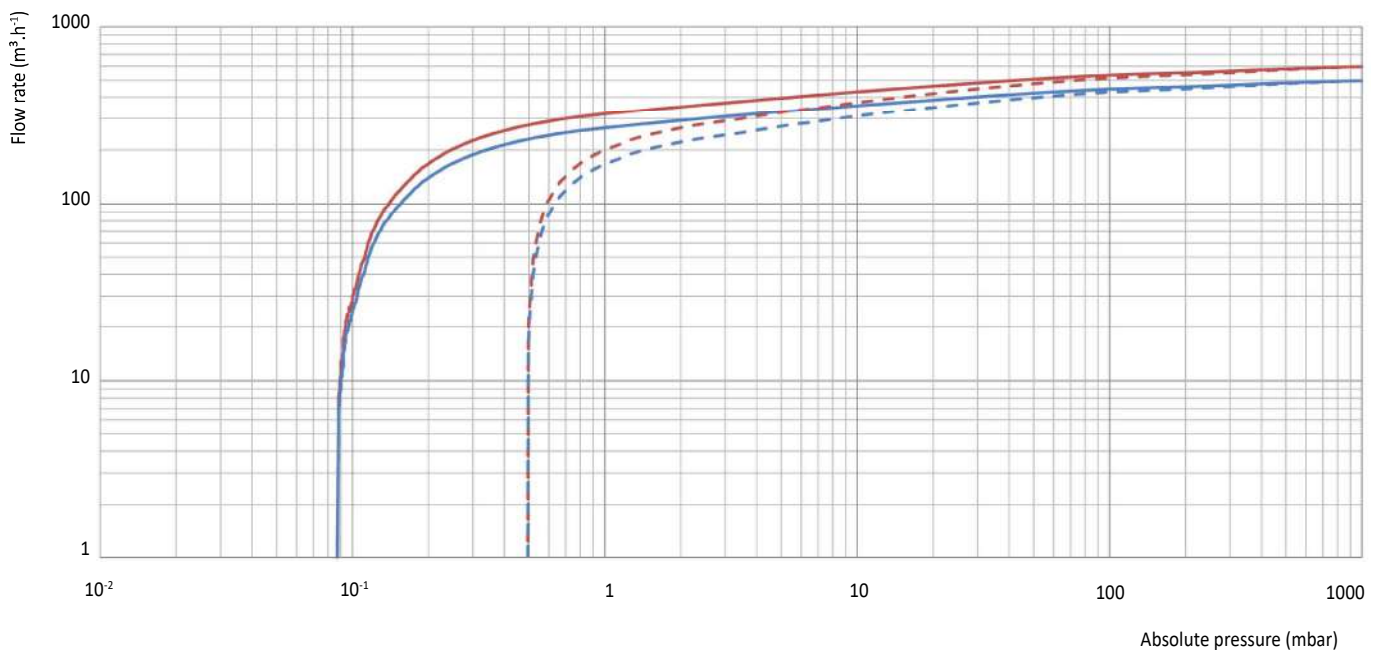
4 Elevated base frame for 1 pump

Lubricated rotary vane vacuum pumps

Pumping speed on 1000 l vessel



Performance curves



— 60 Hz - without gas ballast
— 50 Hz - without gas ballast

- - 60 Hz - with opened gas ballast
- - 50 Hz - with opened gas ballast



EVISA E600.R



The lubricated rotary vane pumps EVISA are designed to be used in a wide range of industrial and healthcare applications.

They can run continuously from atmospheric pressure to ultimate vacuum.

They are silent and extremely robust.

- Single stage vacuum pump
- Continuous operation from atmospheric pressure to end vacuum : 1.10^{-1} mbar
- High pumping speed even at low pressure
- Integrated oil mist filter on the exhaust
- IE3 motor

Technical characteristics

		50 Hz	60 Hz	
E600.R HV	Nominal flow rate $m^3 \cdot h^{-1} - cfm$	634,9 - 373,7	769,2 - 452,8	
	PNEUROP pumping speed ⁽¹⁾ $m^3 \cdot h^{-1} - cfm$	581 - 342	696 - 409,7	
	Pumping speed at 1 mbar inlet pressure ⁽¹⁾ $m^3 \cdot h^{-1} - cfm$	308 - 181,3	370 - 217,8	
	Without gas ballast End vacuum mbar - torr	$\leq 1.10^{-1} - 8.10^{-2}$	$\leq 1.10^{-1} - 8.10^{-2}$	
	Fully opened gas ballast	End vacuum mbar - torr	$\leq 1 - 0,75$	$\leq 1 - 0,75$
		Water vapor permitted maximum pressure mbar - torr	18,8 - 14,1	22 - 16,5
Water vapor capacity $kg \cdot h^{-1}$		5,6	8,1	
E600.R	Without gas ballast End vacuum mbar - torr	$\leq 3 - 2,3$	$\leq 3 - 2,3$	
	Fully opened gas ballast	End vacuum mbar - torr	$\leq 5 - 3,8$	$\leq 5 - 3,8$
		Water vapor permitted maximum pressure mbar - torr	13,1 - 9,8	15,4 - 11,5
		Water vapor capacity $kg \cdot h^{-1}$	3,9	5,6
100 % synthetic oil		MV99S	MV99S	
Oil capacity l - qt		14 - 14,8	14 - 14,8	
Noise level dB(A)		74	78	

⁽¹⁾ Measurements according to PNEUROP 6602 specifications - 20°C

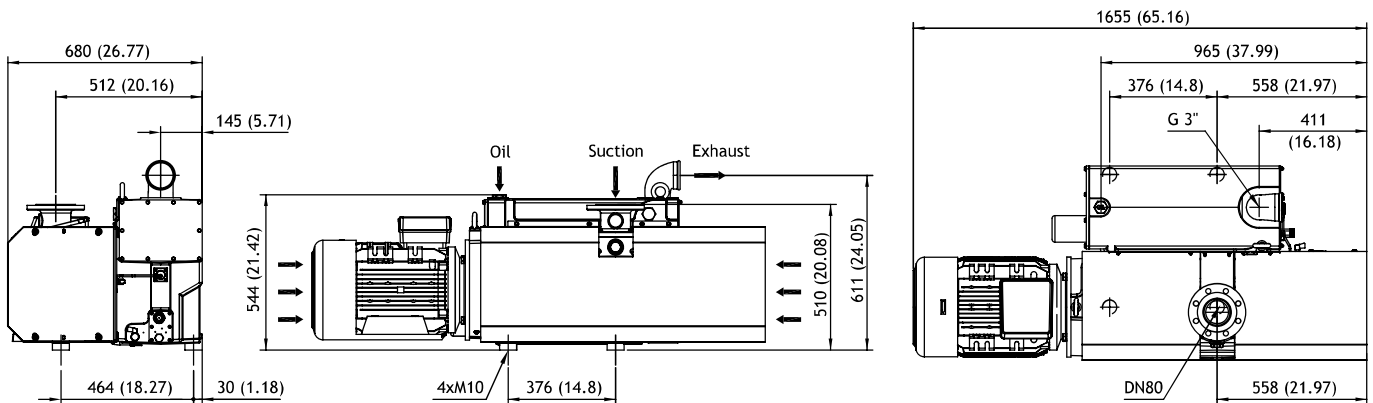
Versions

GEOGRAPHIC ZONE	EUROPE	ASIA MIDDLE-EAST
Electrical motor	Number of phases	3
	Voltage V	400 / 690
	Period Hz	50
	Motor power	13 kW
	Rotation speed min^{-1}	1000
Inlet connection ⁽²⁾	DN80 / 3" BSP	DN80 / 3" BSP
Outlet connection ⁽²⁾	3" BSP	3" BSP
Weight with oil $kg - lb$	531 - 1171	531 - 1171

⁽²⁾ DN 80 ISO-K connector can be supplied, see accessories

Lubricated rotary vane vacuum pumps

Dimensions mm (inch)



References

	E600.R HV		E600.R	
	WITH GAS BALLAST	WITHOUT GAS BALLAST	WITH GAS BALLAST	WITHOUT GAS BALLAST
EUROPE 3ph, 400/690V-50Hz	823880 + 723956	823880	823885 + 723956	823885
ASIA / MIDDLE-EAST 3ph, 380V-60Hz	Contact us	Contact us	Contact us	Contact us

EVISA H₂O version : contact us

Maintenance kits

3 000 hour usual maintenance with viton o'rings for oil mist filters	724139
12 000 hour preventive maintenance HV pump	624394
12 000 hour preventive maintenance	624393
Gasket set	624395



3 000 hour usual maintenance



12 000 hour preventive maintenance



Accessories and Options

1	Oil Level Safety (OLS) with float	624398
	Additional filter for gas ballast	617710
	Timer box for oil level safety (base mounting)	670810
	NC bimetal temperature safety - opening at 120°C - Max 24V	624389
	Oil Level Safety and PT100 temperature sensor	624405
	PT100 temperature sensor	624388
2	3" BSP / DN80 suction filter	
	Type 301	
	Paper cartridge	717369
	Polyester cartridge	717370
	Carbon cartridge	717371
	Vacuum gauge fitted on filter	617536
	Vacuum-tight suction filter	
	ST301 straight-through	
	Paper cartridge	361627
	Polyester cartridge	620166
	Deflector for filters CT 301 and ST 301	215696
	Bracket for mural fixing for filters CT, ST & Liquid trap	617512
	Flanges DN 80 for filters CT, ST & Liquid trap	617513
	Aluminium head/ polycarbonate cylinder / without float	724809
	Aluminium head / polycarbonate cylinder / with float	720810
3	Liquid trap 300	
	696 m ³ .h ⁻¹	
	3" BSP	
	Pyrex bottle 250 ml under trap assembly	615441
	Pyrex bottle 500 ml under trap assembly	615442
	Pyrex bottle 1000 ml under trap assembly	615443
	Electro-pneumatic automatic drain with control board	816002
	Electrical automatic drain with control board	816003
	Vacuum hose (0,6 m) DN80	618269
	Vacuum hose (1 m) DN80	617833
	Vacuum hose (1,5 m) MM 3" BSP	719925
	Vacuum hose (4 m) M 3" BSP - DN80	618573
	Base frame assembly height 200 mm	618251
4	Elevated base frame	
	(H=525 mm) For 1 pump	624329
	Direct starter	
	(wall mounting)	
	Without regulation contact 3-ph 400V	719237
	With regulation contact LG7 3-ph 400V	719239
	Star / Delta starter 400V + N + E (without pressure valve)	718392
	- Electrical unloading valve (230V-50Hz)	617496
	- Pneumatic unloading valve (6 bar)	618257
	Exhaust double elbow mounting	623534
	Double acting electric butterfly cast iron valve DN80 with electric actuator 5/2 NF 230V-50Hz	617522
	Double acting pneumatic butterfly cast iron valve DN80 with electric actuator 5/2 NF 230V-50Hz	617523
	Aluminium adapter M3" / DN80 ISO K	117130
	Aluminium adapter DN80 ISO K	117129
	Aluminium clamping collar DN63/250 ISO K	4 X 361653
	Centering ring Aluminium / PERBUNAN	361650
	Stainless steel hose (0,5 m) DN80 ISO K	361651
	Stainless steel hose (1 m) DN80 ISO K	361652



1 Oil Level Safety



2 suction filter type 301



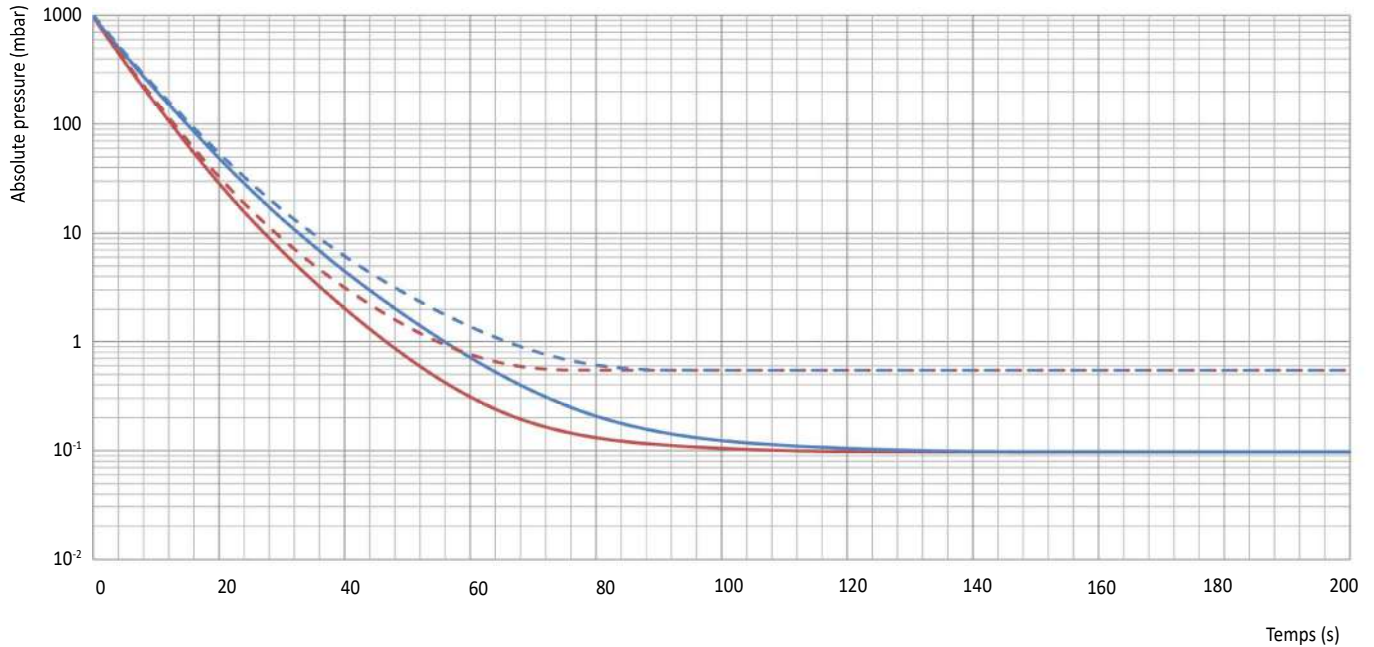
3 Liquid trap 300 with mechanical stop and optional bottle



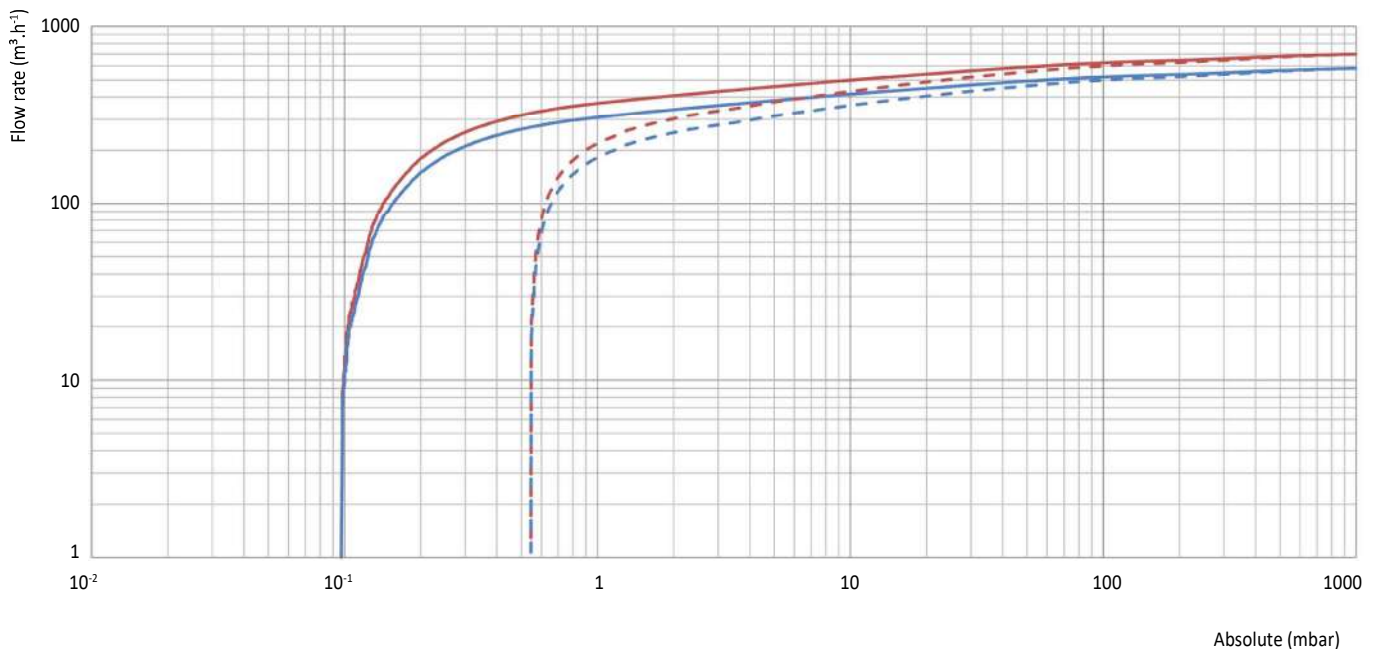
4 Elevated base frame for 1 pump

Lubricated rotary vane vacuum pumps

Pumping speed on 1000 l vessel



Performance curves



— 60 Hz - without gas ballast
— 50 Hz - without gas ballast

- - 60 Hz - with opened gas ballast
- - 50 Hz - with opened gas ballast